



Safety Signs and Labels Equipment Labels

Bulletin
7103
Page 1 2009



#7103-E2004-117-01-2.5x1.3125
Actual Size (others shown at 50% size)



#7103-E2004-117-02-2.5x1.3125



#7103-E2004-117-05-2.5x1.3125



#7103-E2004-117-09-2.5x1.3125



#7103-E2004-117-10-2.5x1.3125



#7103-E2004-117-13-2.5x1.3125



#7103-E2004-117-14-2.5x1.3125



#7103-E2004-117-17-2.5x1.3125



#7103-E2004-117-21-2.5x1.3125



#7103-E2004-117-22-2.5x1.3125



#7103-E2004-117-25-2.5x1.3125



#7103-E2004-117-26-2.5x1.3125



#7103-E2004-117-31-2.5x1.3125



#7103-E2004-117-32-2.5x1.3125



#7103-E2004-117-35-2.5x1.3125

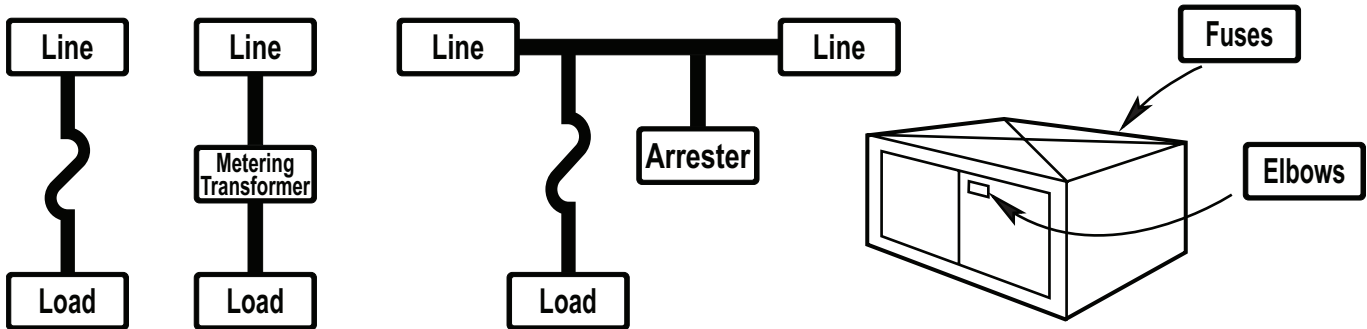


#7103-E2004-117-39-2.5x1.3125



#7103-E2004-117-40-2.5x1.3125

Black ink on 2.5 mil white vinyl with permanent adhesive



See Bulletin 7101 for 2.5 mil orange vinyl Fuse and Bus Bar Symbols

Typical Schematics

Label the outside of switchgear
and other equipment

5 year outdoor durable – 20 year indoor durable

Equipment Labels may be purchased in any quantity
Custom Signs and Labels are available



Safety Signs and Labels

Equipment Labels

Bulletin
7103
Page 2 2009

Instrument Transformer
Elliott #7103-E2004-117-41-2.5x1.3125

#7103-E2004-117-41-2.5x1.3125

Instrument Transformers
Elliott #7103-E2004-117-42-2.5x1.3125

#7103-E2004-117-42-2.5x1.3125

Metering Transformer
Elliott #7103-E2004-117-43-2.5x1.3125

#7103-E2004-117-43-2.5x1.3125

Metering Transformers
Elliott #7103-E2004-117-44-2.5x1.3125

#7103-E2004-117-44-2.5x1.3125

Voltage Transformer
Elliott #7103-E2004-117-47-2.5x1.3125

#7103-E2004-117-47-2.5x1.3125

Voltage Transformers
Elliott #7103-E2004-117-48-2.5x1.3125

#7103-E2004-117-48-2.5x1.3125

Current Transformer
Elliott #7103-E2004-117-51-2.5x1.3125

#7103-E2004-117-51-2.5x1.3125

Current Transformers
Elliott #7103-E2004-117-52-2.5x1.3125

#7103-E2004-117-52-2.5x1.3125

Recloser
Elliott #7103-E2004-117-55-2.5x1.3125

#7103-E2004-117-55-2.5x1.3125

Reclosers
Elliott #7103-E2004-117-56-2.5x1.3125

#7103-E2004-117-56-2.5x1.3125

Switch
Elliott #7103-E2004-117-59-2.5x1.3125

#7103-E2004-117-59-2.5x1.3125

Switches
Elliott #7103-E2004-117-60-2.5x1.3125

#7103-E2004-117-60-2.5x1.3125

Oil Switch
Elliott #7103-E2004-117-63-2.5x1.3125

#7103-E2004-117-63-2.5x1.3125

Oil Switches
Elliott #7103-E2004-117-64-2.5x1.3125

#7103-E2004-117-64-2.5x1.3125

Vacuum Switch
Elliott #7103-E2004-117-67-2.5x1.3125

#7103-E2004-117-67-2.5x1.3125

Vacuum Switches
Elliott #7103-E2004-117-68-2.5x1.3125

#7103-E2004-117-68-2.5x1.3125

Open
Elliott #7103-E2004-117-71-2.5x1.3125

#7103-E2004-117-71-2.5x1.3125

Neutral
Elliott #7103-E2004-117-73-2.5x1.3125

#7103-E2004-117-73-2.5x1.3125

Close
Elliott #7103-E2004-117-75-2.5x1.3125

#7103-E2004-117-75-2.5x1.3125

Left
Elliott #7103-E2004-117-77-2.5x1.3125

#7103-E2004-117-77-2.5x1.3125

Center
Elliott #7103-E2004-117-79-2.5x1.3125

#7103-E2004-117-79-2.5x1.3125

Right
Elliott #7103-E2004-117-81-2.5x1.3125

#7103-E2004-117-81-2.5x1.3125

Sectionalizer
Elliott #7103-E2004-117-90-2.5x1.3125

#7103-E2004-117-90-2.5x1.3125

Sectionalizers
Elliott #7103-E2004-117-91-2.5x1.3125

#7103-E2004-117-91-2.5x1.3125

Black ink on 2.5 mil white vinyl with permanent adhesive

5 year outdoor durable – 20 year indoor durable

**Equipment Labels may be purchased in any quantity
Custom Signs and Labels are available**