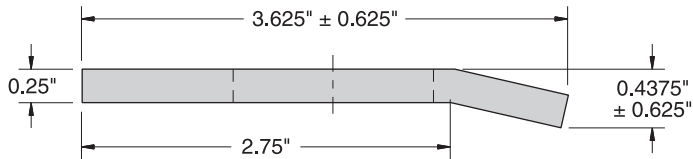
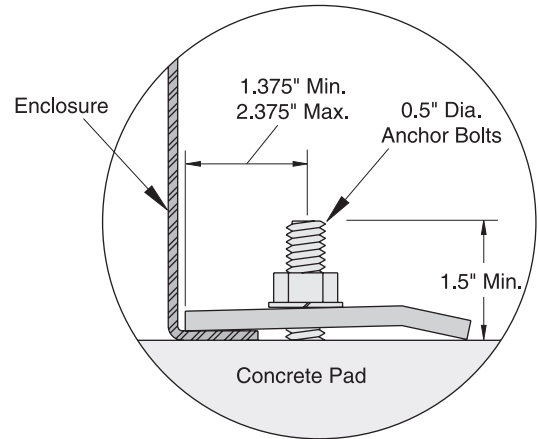
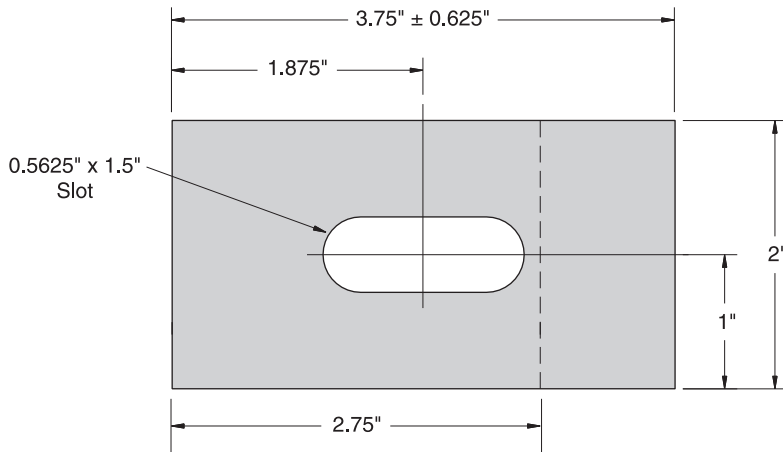




# Anchor Brackets

For Pad-Mount Enclosures

Descriptive Bulletin  
**6102**  
 Page 1 2009



| Catalog No. | Description    | Material             |
|-------------|----------------|----------------------|
| 6102-A81-7  | Anchor Bracket | #6061-T6 Aluminum    |
| 6102-A81-8  | Anchor Bracket | #304 Stainless Steel |



**Anchor Brackets**  
For Pad-Mount Enclosures

Descriptive  
Bulletin  
**6102**  
Page 2 2009

**If you do not find the design  
you need**

**PLEASE CONTACT**

**our REPRESENTATIVE or the FACTORY**