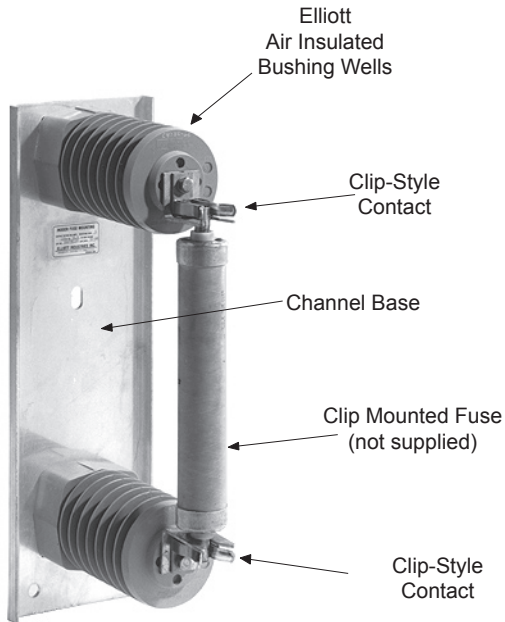


Fuse Mountings

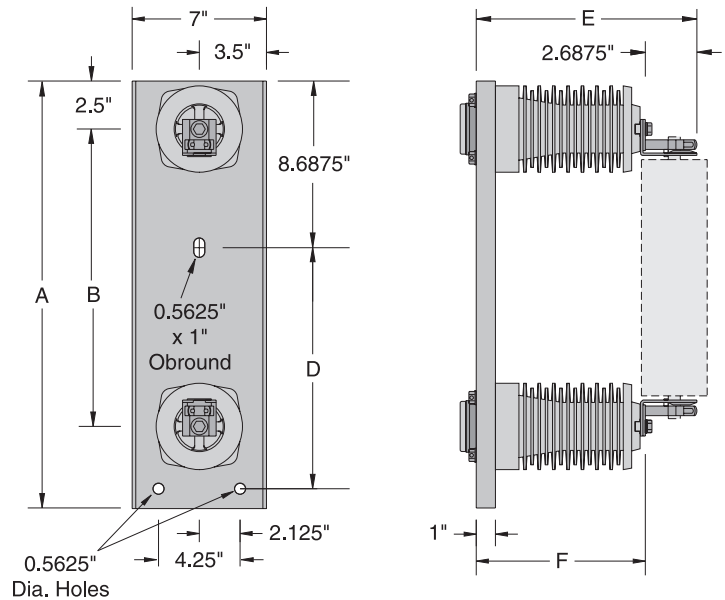
Back Connected Bushing Wells

For Indoor Current-Limiting Fuses

Single Fuse Clip-Style Mounting



200 Amp Bushing Well per IEEE Standard 386 (Fig. 3) provides for connection to the electrical system with loadbreak separable insulated connectors (loadbreak inserts & elbows).



A 5 x 3.5 inch label with the following wording accompanies all frame and box mounting assemblies: "WARNING - Shock Hazard! Fuse or Switch may be live in open position."

Ratings and Dimensions of Channel-Based Mountings for Clip-Style NX® Fuses

Maximum Voltage kV	Max. Fuse Voltage kV	BIL kV	Mounting Code Number*	Catalog Number	Dimensions Inches					
					A	B	C	D	E	F
8.3/14.4 Grd. Wye	8.3	95	4	EB2FAB1D1	22.25	11.125	-	12.5625	11.5	8.8125
14.4/24.9 Grd. Wye	15.5	125	5	EB2FAB1D4	22.25	15.5	-	12.5625	11.5	8.8125
14.4/24.9 Grd. Wye	15.5 & 23	125	6	EB2FAB1D8	24.9375	18.1875	-	15.25	11.5	8.8125
19.9/34.5 Grd. Wye	23	150	6	EB2FAB1D3	24.9375	18.1875	-	15.25	13	10.3125
19.9/34.5 Grd. Wye	27	150	9	EB2FAB1D6	34.8125	28.0625	-	25.125	13	10.3125

*Code Number of Mounting must match Code Number of Fuse.



Fuse Mountings
Back Connected Bushing Wells
For Indoor current-Limiting Fuses

Descriptive
Bulletin
3112
Page 2 2009

**If you do not find the design
you need**

PLEASE CONTACT

our REPRESENTATIVE or the FACTORY