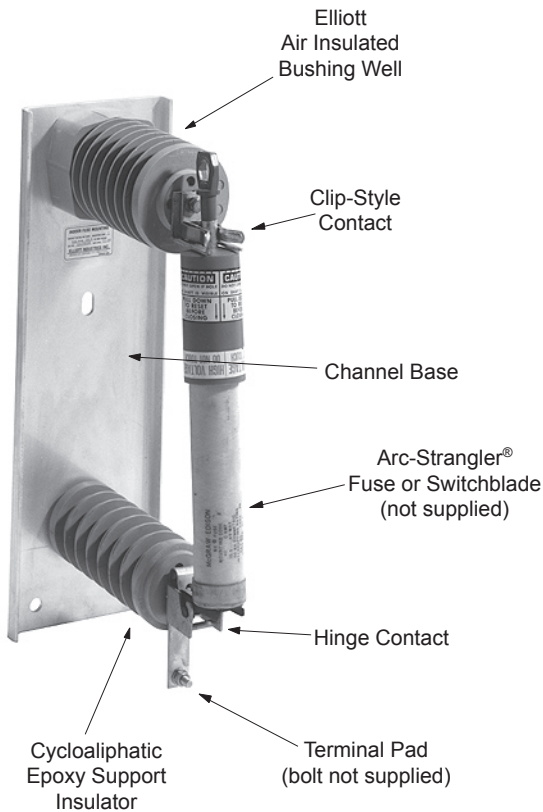
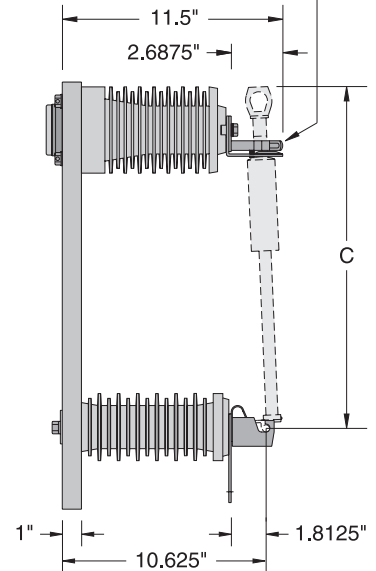
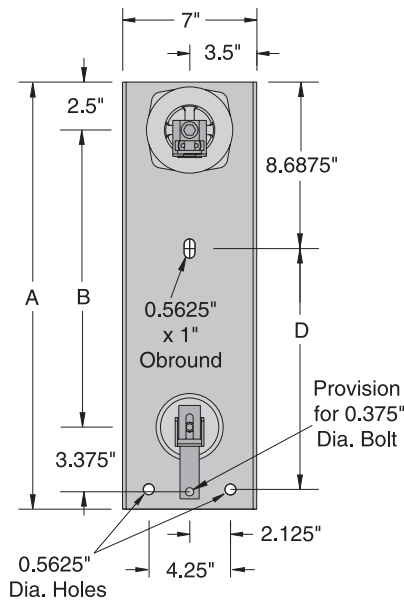


**Single Fuse
Hinge-Style Mounting**



200 Amp Bushing Well per IEEE Standard 386 (Fig. 3) provides for connection to the electrical system with loadbreak separable insulated connectors (loadbreak inserts & elbows).

Clearance from contact clip to ground in any direction for Arc-Strangler® sleeve operation:
15.5 kV - 8" 8.3 kV - 6"



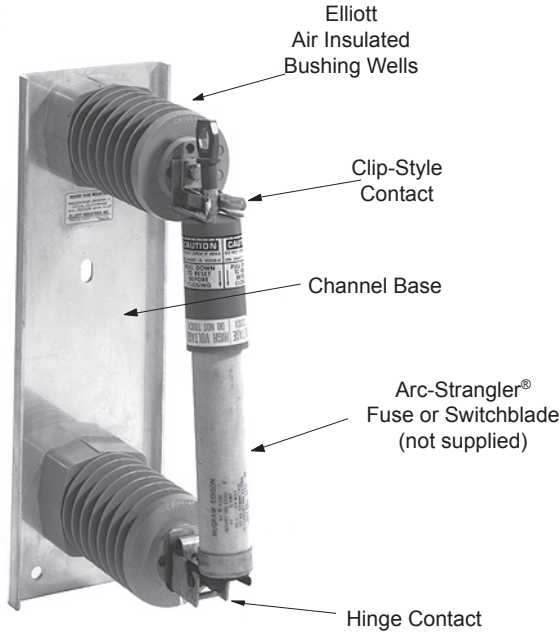
A 5 x 3.5 inch label with the following wording accompanies all frame and box mounting assemblies: "WARNING - Shock Hazard! Fuse or Switch may be live in open position."

**Ratings and Dimensions of Channel-Based Mountings for Hinge-Style NX® Fuses
(with Arc-Strangler® Loadbreaking Device) or Arc-Strangler® Switchblade**

Maximum Voltage kV	Max. Fuse Voltage kV	BIL kV	Description	Mounting Code Number*	Catalog No.	Dimensions Inches					
						110° Opening	A	B	C	D	E
8.3/14.4 Grd. Wye 14.4/24.9 Grd. Wye	8.3	95	Single Pole Mounting	1	EB1FA1D1	22.25	11.125	13.3125	12.5625	-	-
	15.5	125		2	EB1FA1D4	22.25	15.5	17.8125	12.5625	-	-

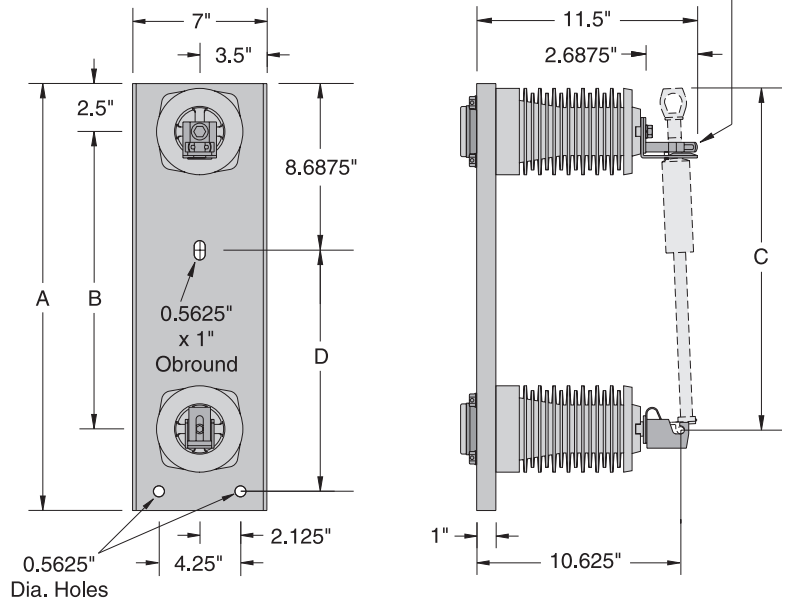
*Code Number of Mounting must match Code Number of Fuse or Switchblade.

Single Fuse Hinge-Style Mounting



200 Amp Bushing Well per IEEE Standard 386 (Fig. 3) provides for connection to the electrical system with loadbreak separable insulated connectors (loadbreak inserts & elbows).

Clearance from contact clip to ground in any direction for Arc-Strangler® sleeve operation:
15.5 kV - 8" 8.3 kV - 6"



A 5 x 3.5 inch label with the following wording accompanies all frame and box mounting assemblies: "WARNING - Shock Hazard! Fuse or Switch may be live in open position."

Ratings and Dimensions of Channel-Based Mountings for Hinge-Style NX® Fuses (with Arc-Strangler® Loadbreaking Device) or Arc-Strangler® Switchblade

Maximum Voltage kV	Max. Fuse Voltage kV	BIL kV	Description	Mounting Code Number*	Catalog No.	Dimensions Inches					
						110° Opening	A	B	C	D	E
8.3/14.4 Grd. Wye 14.4/24.9 Grd. Wye	8.3	95	Single Pole Mounting	1	EB2FA1D1	22.25	11.125	13.3125	12.5625	-	-
	15.5	125		2	EB2FA1D4	22.25	15.5	17.8125	12.5625	-	-

*Code Number of Mounting must match Code Number of Fuse or Switchblade.

NX® and Arc-Strangler® are registered trademarks of Cooper Power Systems, Inc.