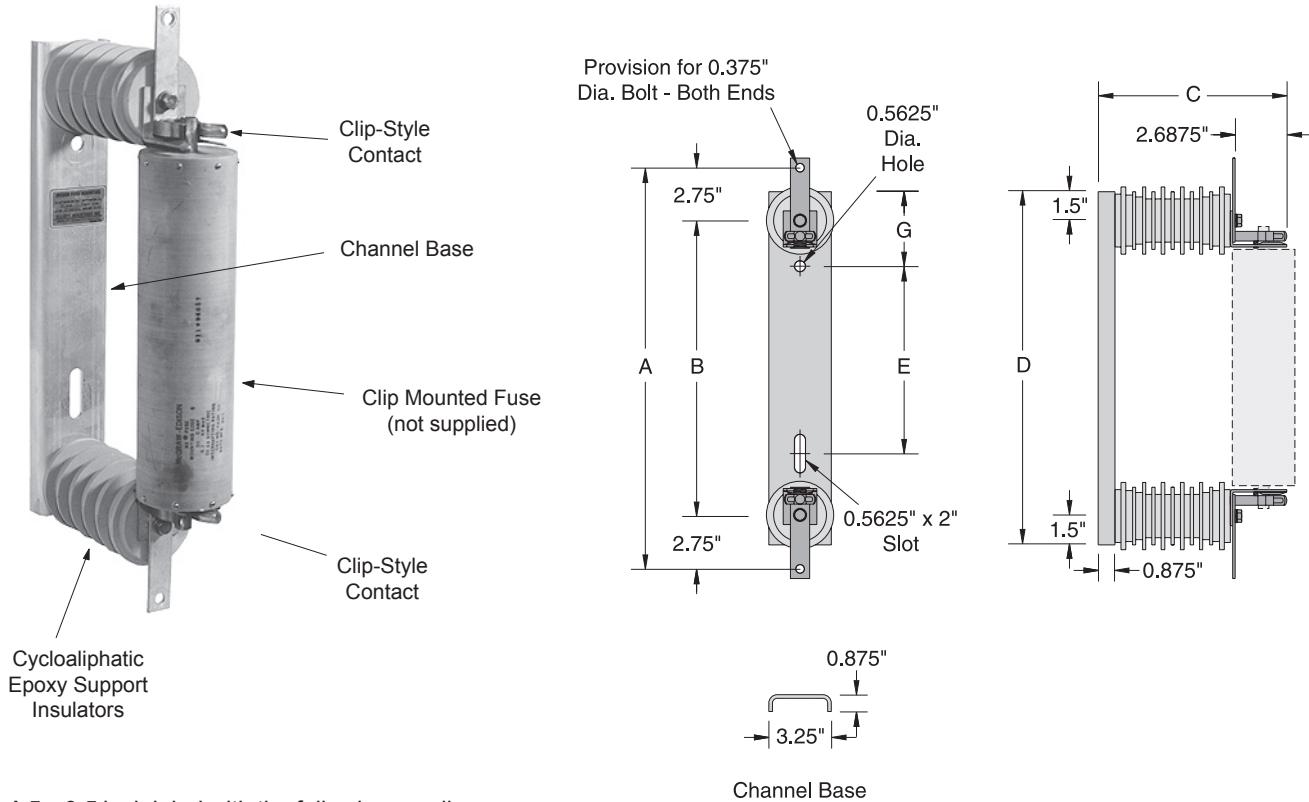


**Single Fuse
Clip-Style Mounting**



A 5 x 3.5 inch label with the following wording accompanies all frame and box wording assemblies: "WARNING - Shock Hazard! Fuse or Switch may be live in open position."

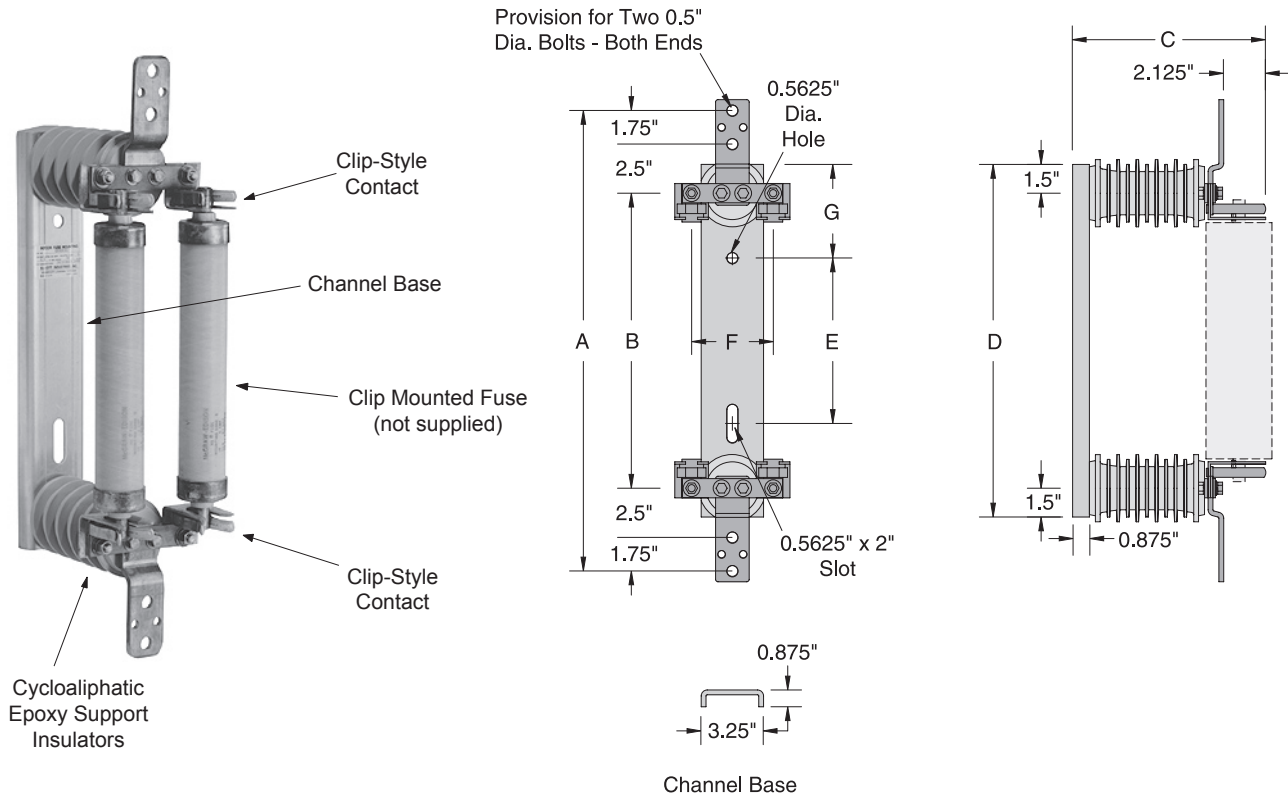
Ratings and Dimensions of Channel-Based Mounting for Clip-Style NX® Fuses

| Mounting Type | Maximum Voltage Rating kV | BIL kV | Mounting Code Number* | Catalog Number | Dimensions Inches | | | | | | |
|--------------------------|---------------------------|--------|-----------------------|----------------|-------------------|---------|---------|---------|---------|---|-------|
| | | | | | A | B | C | D | E | F | G |
| Single Fuse, Single Pole | 8.3 | 95 | 4 | EFAB1D1 | 16.5 | 11 | 9.8125 | 14 | 5 | - | 3.875 |
| | 15.5 | 95 | 5 | EFAB1D2 | 20.875 | 15.375 | 9.8125 | 18.375 | 9.75 | - | 3.875 |
| | 15.5 | 125 | 5 | EFAB1D4 | 20.875 | 15.375 | 11.3125 | 18.375 | 9.75 | - | 3.875 |
| | 15.5 | 95 | 6 | EFAB1D5 | 23.6875 | 18.1875 | 9.8125 | 21.1875 | 12.5625 | - | 3.875 |
| | 15.5 | 125 | 6 | EFAB1D8 | 23.6875 | 18.1875 | 11.3125 | 21.1875 | 12.5625 | - | 3.875 |
| | 23 | 150 | 6 | EFAB1D3 | 23.6875 | 18.1875 | 13.8125 | 21.1875 | 12.5625 | - | 3.875 |
| | 27 | 150 | 9 | EFAB1D6 | 33.5625 | 28.0625 | 13.8125 | 31.0625 | 17.5 | - | 6 |
| | 38 | 150 | 10 | EFAB1D7 | 41.5625 | 36.0625 | 13.8125 | 39.0625 | 25 | - | 6.25 |

*Code Number of Mounting must match Code Number of Fuse.

NX® is a registered trademark of Cooper Power Systems, Inc.

Parallel Fuse Clip-Style Mounting



A 5 x 3.5 inch label with the following wording accompanies all frame and box mounting assemblies: "WARNING - Shock Hazard! Fuse or Switch may be live in open position."

Ratings and Dimensions of Channel-Based Mounting for Clip-Style NX® Fuses

| Mounting Type | Maximum Voltage Rating kV | BIL kV | Mounting Code Number* | Catalog Number | Dimensions Inches | | | | | | |
|----------------------------|---------------------------|--------|-----------------------|----------------|-------------------|---------|------|---------|---------|------|-------|
| | | | | | A | B | C | D | E | F | G |
| Parallel Fuse, Single Pole | 8.3 | 95 | 4 | EFAB1K1 | 19.5 | 11 | 10 | 14 | 5 | 4.25 | 3.875 |
| | 15.5 | 95 | 5 | EFAB1K2 | 23.875 | 15.375 | 10 | 18.375 | 9.75 | 4.25 | 3.875 |
| | 15.5 | 125 | 5 | EFAB1K3 | 23.875 | 15.375 | 11.5 | 18.375 | 9.75 | 4.25 | 3.875 |
| | 15.5 | 95 | 6 | EFAB1K4 | 26.6875 | 18.1875 | 10 | 21.1875 | 12.5625 | 4.25 | 3.875 |
| | 23 | 125 | 6 | EFAB1K5 | 26.6875 | 18.1875 | 11.5 | 21.1875 | 12.5625 | 4.25 | 3.875 |
| | 23 | 150 | 6 | EFAB3K3 | 26.6875 | 18.1875 | 14 | 21.1875 | 12.5625 | 4.25 | 3.875 |
| | 27 | 150 | 9 | EFAB3K1 | 36.5625 | 28.0625 | 14 | 31.0625 | 17.5 | 4.25 | 6 |
| | 38 | 150 | 10 | EFAB3K2 | 44.5625 | 36.0625 | 14 | 39.0625 | 25 | 4.25 | 6.25 |

*Code Number of Mounting must match Code Number of Fuse.

NX® is a registered trademark of Cooper Power Systems, Inc.