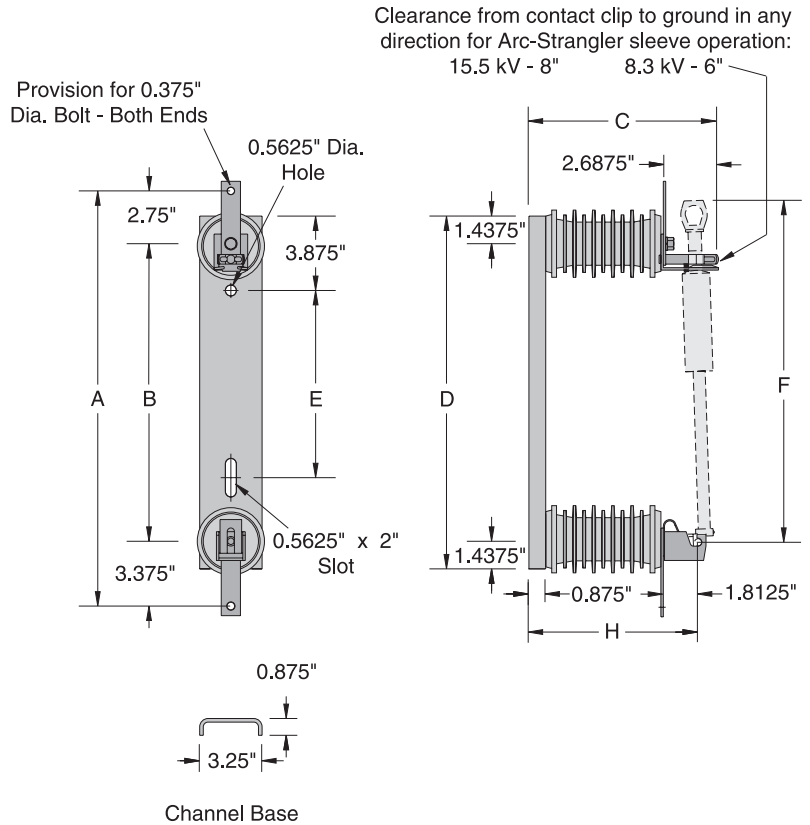
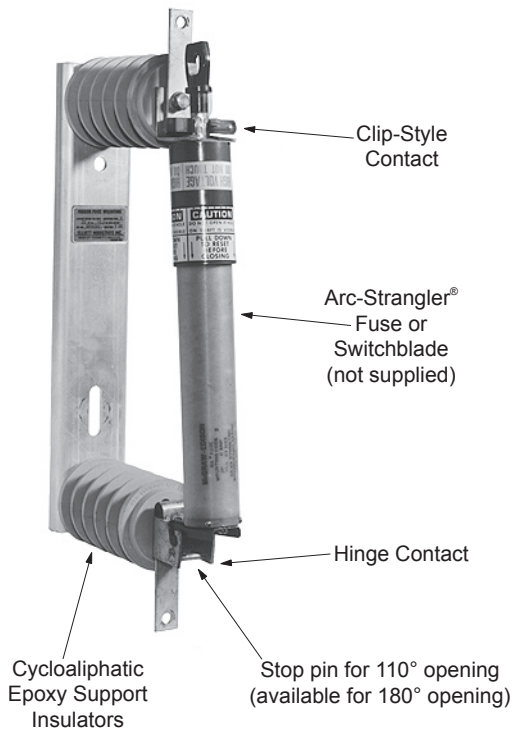


Single Fuse Hinge-Style Mounting



A 5 x 3.5 inch label with the following wording accompanies all frame and box mounting assemblies: "WARNING - Shock Hazard! Fuse or Switch may be live in open position."

Ratings and Dimensions of Channel-Based Mountings for Hinge-Style NX® Fuses (with Arc-Strangler® Loadbreaking Device) or Arc-Strangler® Switchblade

Maximum Voltage kV	BIL kV	Description	Mounting Code Number*	Catalog Number		Dimensions Inches							
				110° Opening	180° Opening	A	B	C	D	E	F	G	H
8.3	95	Single-pole Mounting	1	EFA1D1	EFAA1D1	17.25	11.125	9.8125	14	5	13.3125	-	8.8125
15.5	95		2	EFA1D2	EFAA1D2	21.625	15.5	9.8125	18.375	9.75	17.8125	-	8.8125
15.5	125		2	EFA1D4	--	21.625	15.5	11.3125	18.375	9.75	17.8125	-	10.3125

*Code Number of Mounting must match Code Number of Fuse or Switchblade.



Fuse Mountings
For Indoor Current-Limiting Fuses

Descriptive
Bulletin
3101
Page 2 2009

**If you do not find the design
you need**

PLEASE CONTACT

our REPRESENTATIVE or the FACTORY