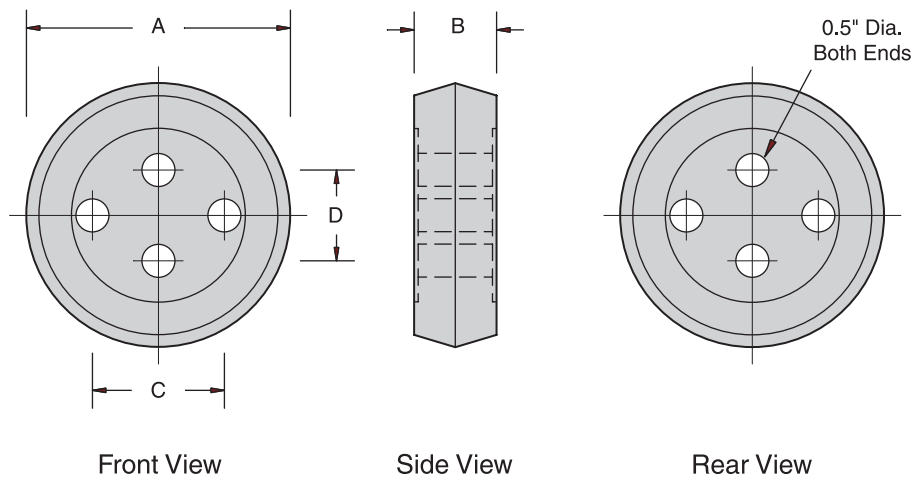


Apparatus Insulator Spacers

Indoor - Outdoor
Special Bolt Series 0.375" - 16 Inserts



ELRIM Cycloaliphatic Epoxy Provides:

- Nontracking, self-scouring, nonweathering performance
- Superior dielectric strength, dielectric loss and power factor
- Choice of shapes allows design innovation
- Mechanical and thermal toughness
- Shatter-free arc flashover performance
- Oil resistant

Elliott Design Provides:

- Thermal cycling withstand from +200° F to -200° F
- High strength - field proven performance
- Experience with cycloaliphatic epoxy since 1975

These spacers may be used to increase the height of apparatus insulators, S&C base-mounted Uni-Rupters and live parts when the desired height is not available using the apparatus insulator alone. High compression strength and the other superior qualities of cycloaliphatic epoxy make these spacers high-performance components.

Dimensions of Apparatus Insulator Spacers

Catalog Number	Nominal Voltage kV	Dimensions				Compression Pounds	Net Weight Pounds (kg)
		A Inches	B Inches	C Inches	D Inches		
2209-S400.75	--	4	0.75	2	1.375	20,000	0.52 (0.24)
2209-S401.25	--	4	1.25	2	1.375	20,000	0.93 (0.43)



Apparatus Insulator Spacers

Indoor - Outdoor
Special Bolt Series 0.375" - 16 Inserts

Descriptive
Bulletin

2209

Page 2 2008

If you do not find the design

you need

PLEASE CONTACT

our REPRESENTATIVE or the FACTORY