



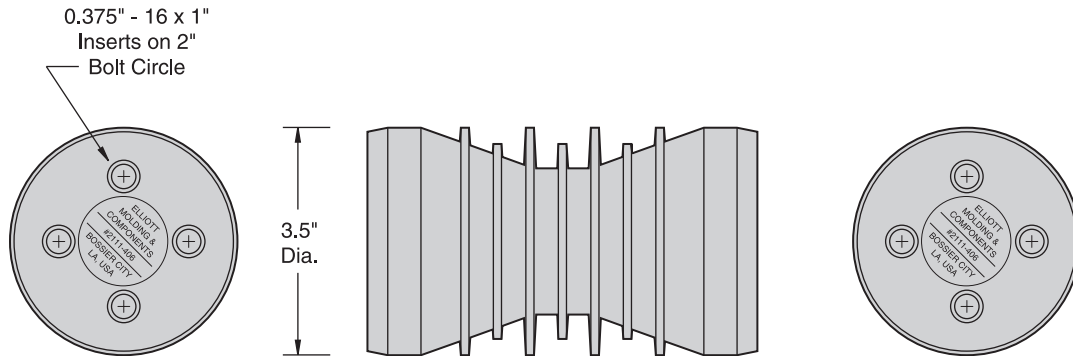
Apparatus Insulators

Indoor - Outdoor
Four Bolt Series 0.375" - 16 Inserts

Descriptive
Bulletin
2111-001
Page 1 2008

Standard Duty

See Bulletin 2200-001 for Heavy Duty



ELRIM Cycloaliphatic Epoxy Provides:

- Nontracking, self-scouring, nonweathering performance
- Superior dielectric strength, dielectric loss and power factor
- Choice of shapes allows design innovation
- Mechanical and thermal toughness
- Shatter-free arc flashover performance
- Oil resistant

Elliott Design Provides:

- Cast-in-place inserts without metal end caps
- Contamination resistant Elliott square-edge skirts
- Generous dry arcing (strike) distance
- Increased leakage distance to resist contamination
- Thermal cycling withstand from +200° F to -200° F
- High strength - field proven performance
- Experience with cycloaliphatic epoxy since 1975

The standard duty four-bolt apparatus insulator provides a 2-inch bolt circle and may be used as a direct replacement for porcelain and non-porcelain insulators. This unusually compact design may be mounted in any position. The unique Elliott square-edge skirt design provides unusually high performance in contaminated conditions - wet or dry. High cantilever strength and the other superior qualities of cycloaliphatic epoxy make this insulator a high-performance component.

Ratings and Dimensions of Apparatus Insulators

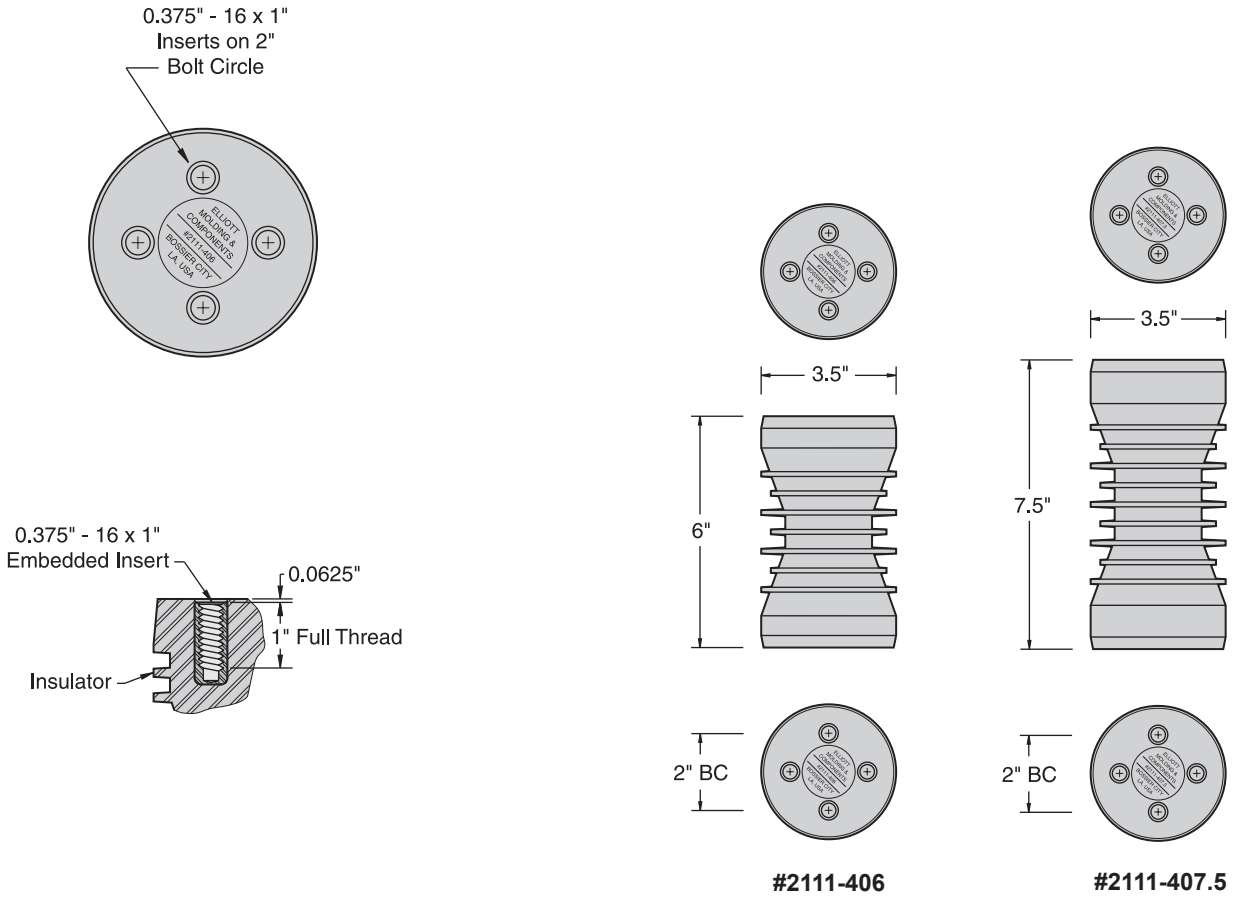
| Catalog Number | S&C Replacment | Nominal Voltage kV | Withstand Test Voltage Kilovolts | | | Height Inches | Minimum Leakage Inches | Minimum Strike Inches |
|----------------|----------------|--------------------|----------------------------------|---------------|-------------|---------------|------------------------|-----------------------|
| | | | Impulse 1.2 x 50 | One Min. Dry. | 10 Sec. Dew | | | |
| 2111-406 | -- | 15 | 95 | 50 | 30 | 6 | 10.5 | 6 |
| 2111-407.5 | -- | 25 | 125 | 60 | 40 | 7.5 | 14 | 7.5 |
| 2111-408.5 | | 25 | 125 | 60 | 40 | 8.5 | 16.5 | 8.5 |
| 2111-410 | -- | 35 | 150 | 70 | 60 | 10 | 20 | 10 |
| 2111-412.5 | | 35 | 200 | 80 | 70 | 12.5 | 26 | 12.5 |



Apparatus Insulators

Indoor - Outdoor
Four Bolt Series 0.375" - 16 Inserts

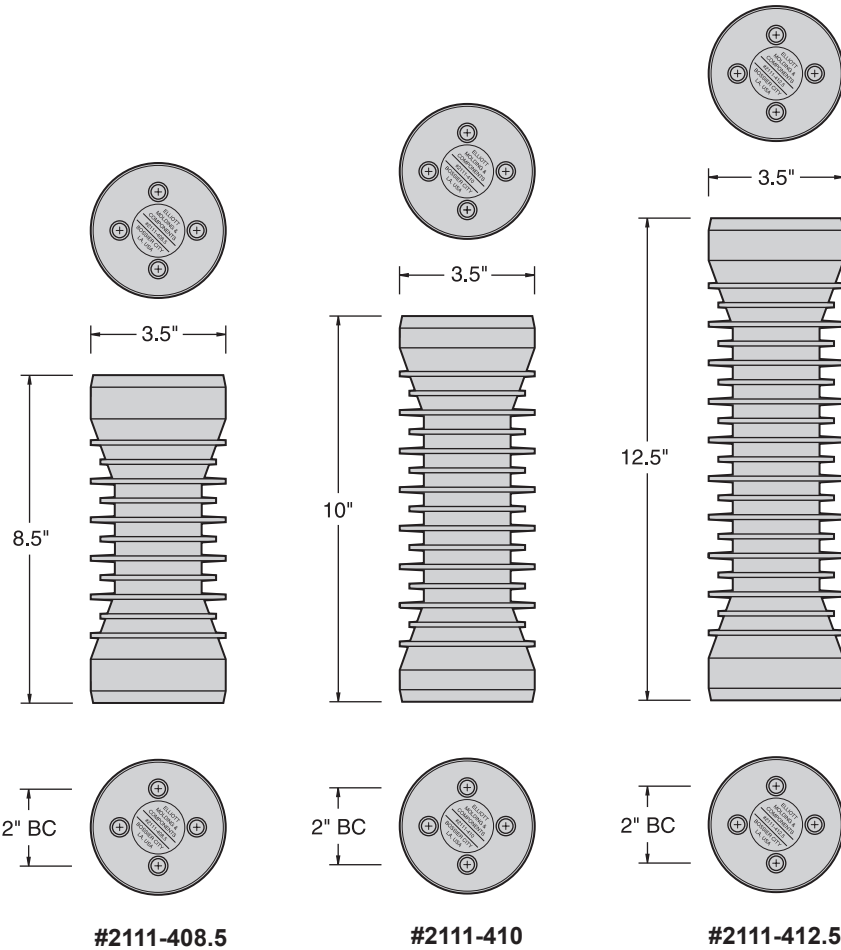
Descriptive
Bulletin
2111-001
Page 2 2008



| Catalog Number | 2111-406 | 2111-407.5 |
|--|-------------|-------------|
| Electrical Rating, kV | | |
| Nominal Voltage | 15 | 25 |
| BIL | 95 | 125 |
| A.C: Withstand - 1 Min. Dry | 50 | 60 |
| A.C Withstand - 10 Sec. Dew | 30 | 40 |
| Leakage Distance, Inches | 10.5 | 14 |
| Dry Arcing Distance, Inches | 6 | 7.5 |
| Mechanical-Strength Rating, Pounds | | |
| Cantilever, Ultimate 2.5 inches above top* | 1,400 | 1,200 |
| Tensile, Pounds | 5,000 | 5,000 |
| Torsion, Inch-Pounds | 3,600 | 3,600 |
| Compression, Pounds | 20,000 | 20,000 |
| Insert Thread Size | 0.375" - 16 | 0.375" - 16 |
| Net Weight, Pounds (kg) | 3.0 (1.4) | 3.6 (1.6) |

* To attain their rated cantilever strengths, insulators must be mounted on a flat surface that is at least as wide as the diameter of the base of the insulator. Furthermore, the mounting surface must be free of protrusions, such as lumps from galvanizing, to prevent cracking of the insulator when mounting bolts are tightened.

Apparatus Insulators
Indoor - Outdoor
Four Bolt Series 0.375" - 16 Inserts



| Catalog Number | 2111-408.5 | 2111-410 | 2111-412.5 |
|--|-------------|-------------|-------------|
| Electrical Rating, kV | | | |
| Nominal Voltage | 25 | 35 | 35 |
| BIL | 125 | 150 | 200 |
| A.C. Withstand - 1 Min. Dry | 60 | 70 | 80 |
| A.C. Withstand - 10 Sec. Dew | 40 | 60 | 70 |
| Leakage Distance, Inches | 16.5 | 20 | 26 |
| Dry Arcing Distance, Inches | 8.5 | 10 | 12.5 |
| Mechanical-Strength Rating, Pounds | | | |
| Cantilever, Ultimate 2.5 inches above top* | 1,000 | 750 | 500 |
| Tensile, Pounds | 5,000 | 5,000 | 5,000 |
| Torsion, Inch-Pounds | 3,600 | 3,600 | 3,600 |
| Compression, Pounds | 20,000 | 20,000 | 20,000 |
| Insert Thread Size | 0.375" - 16 | 0.375" - 16 | 0.375" - 16 |
| Net Weight, Pounds (kg) | 4.1 (1.8) | 4.5 (2.0) | 5.4 (2.4) |



Apparatus Insulators
Indoor - Outdoor
Four Bolt Series 0.375" - 16 Inserts

Descriptive
Bulletin
2111-001
Page 4 2008

**If you do not find the design
you need**

PLEASE CONTACT

our REPRESENTATIVE or the FACTORY