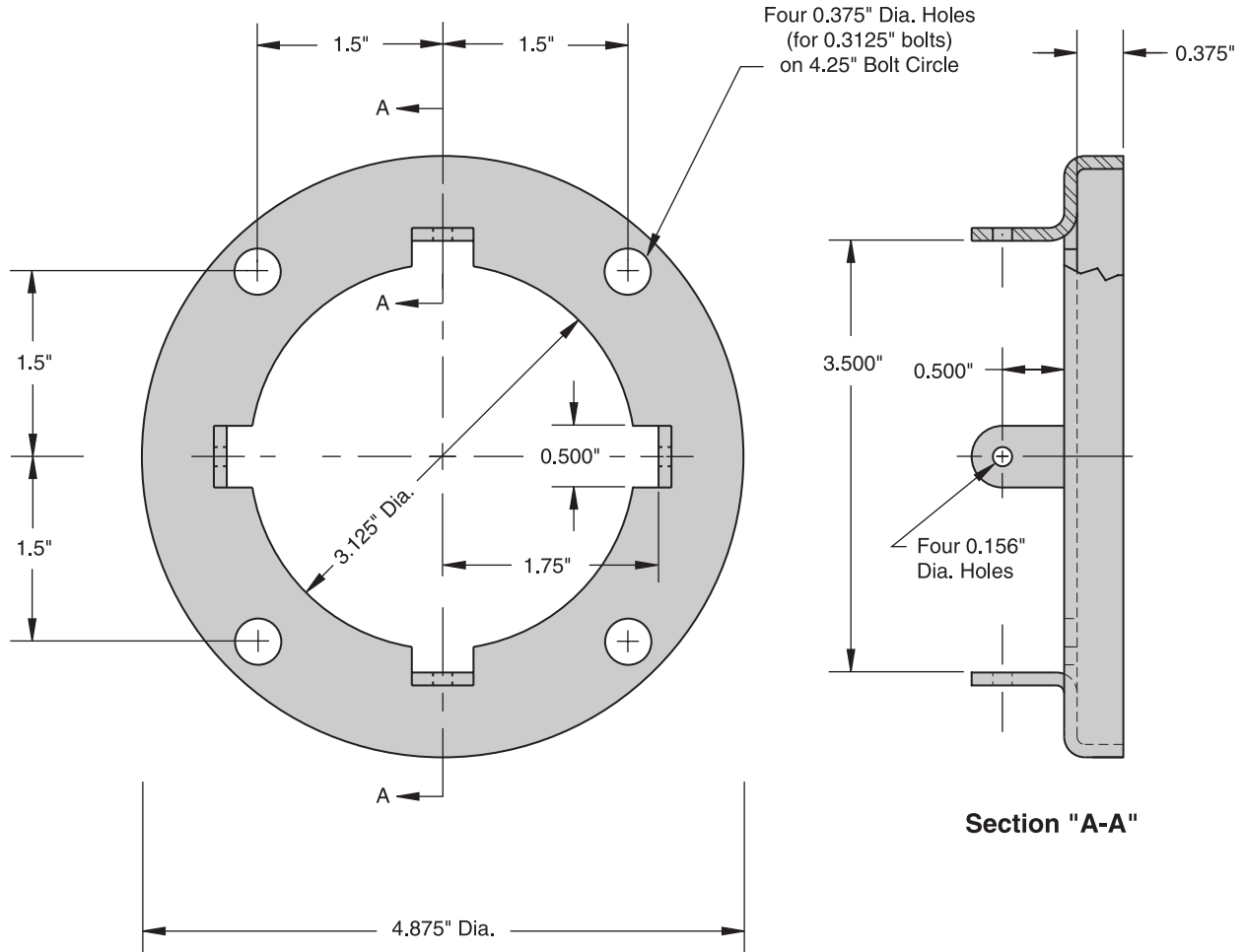




# Bushing Clamp Ring

For Elliott Air Insulated Bushings

Descriptive  
Bulletin  
**1901**  
Page 1 2008



**Recommended Mounting:**  
Four 0.3125" - 18 x 1.25"  
Studs on 4.25" Bolt Circle

Catalog No.	Description	Material
1901-CR4S	Bushing Clamp Ring	12-gauge #304 Stainless Steel



## **Bushing Clamp Ring**

For Elliott Air Insulated Bushings

Descriptive  
Bulletin  
**1901**  
Page 2 2008

**If you do not find the design  
you need**

**PLEASE CONTACT**

**our REPRESENTATIVE or the FACTORY**