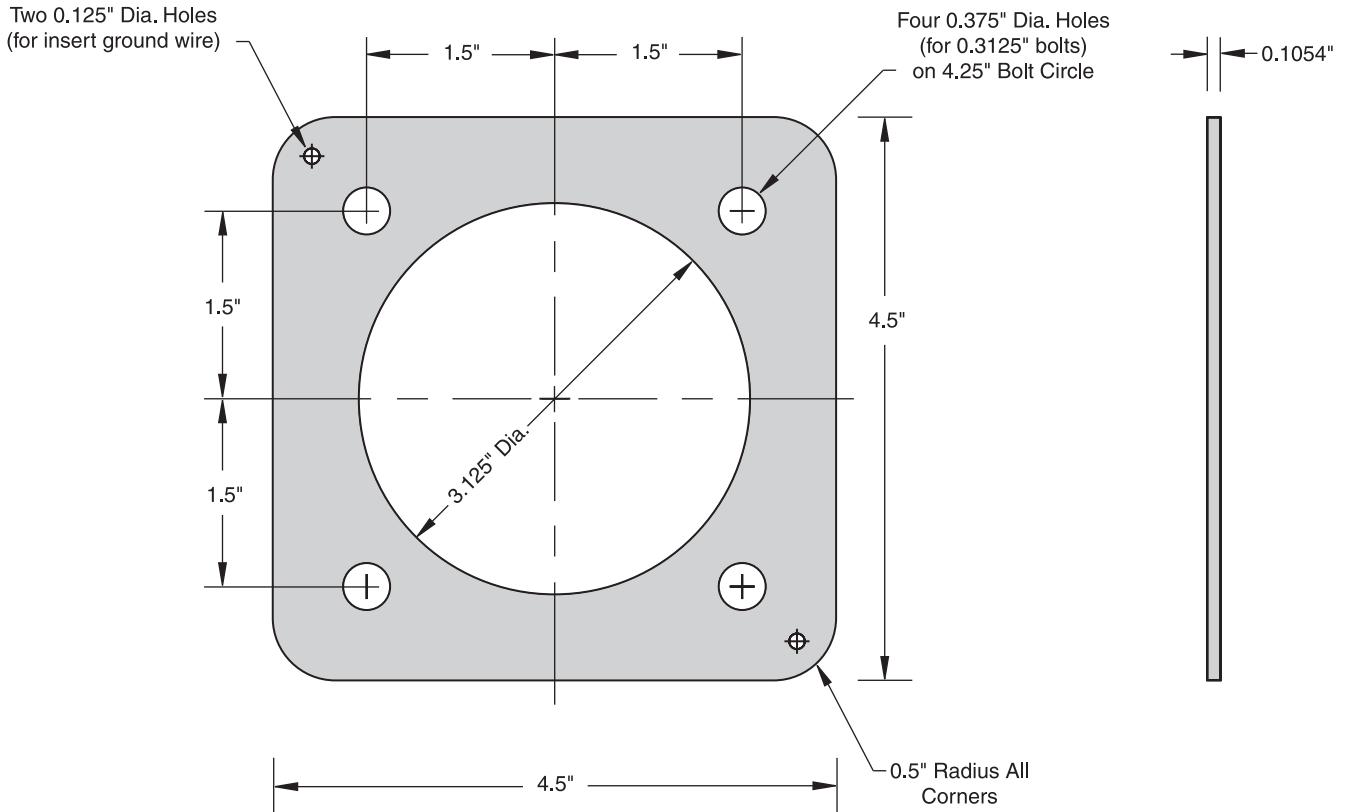




Bushing Clamp Ring

For Elliott Air Insulated Bushings

Descriptive
Bulletin
1900
Page 1 2008



Recommended Mounting:
 Four 0.3125" - 18 x 1.25"
 Studs on 4.25" Bolt Circle

Catalog No.	Description	Material
1900-CR4S	Bushing Clamp Ring	12-gauge #304 Stainless Steel



Bushing Clamp Ring

For Elliott Air Insulated Bushings

Descriptive
Bulletin
1900
Page 2 2008

**If you do not find the design
you need**

PLEASE CONTACT

our REPRESENTATIVE or the FACTORY