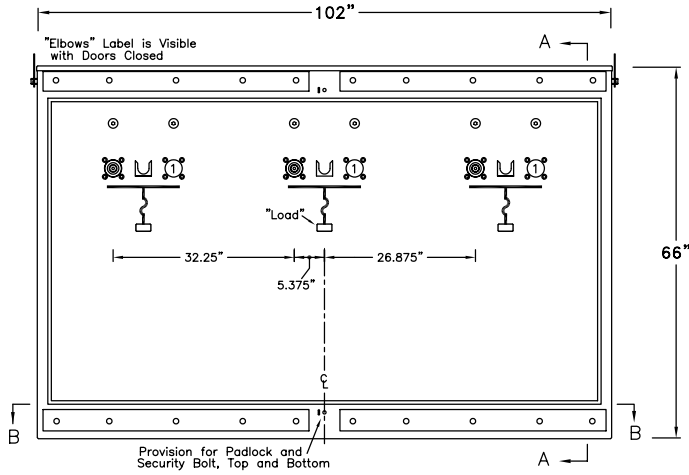
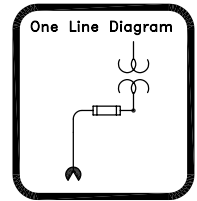


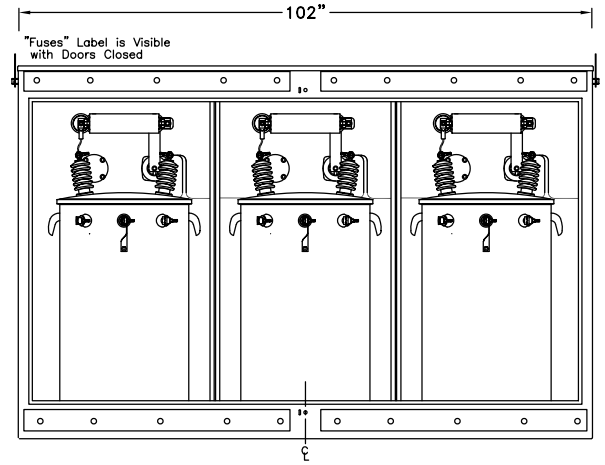
EPM-PTS-15-311P-E6-CM5-75KVA

Three-Phase - Two Ways per Phase
 600 Amp Elliott Air Insulated Bushings
 140 Amp (Max) 8.3 kV Clip Mounted CL Fuse Provisions
 8.3/14.4 kV Grd. Wye Max Design
 60 Hertz, 95 kV BIL

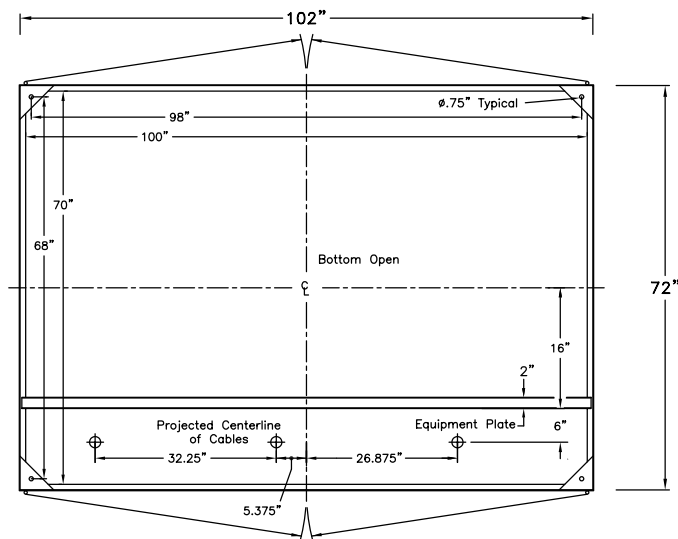


Front View
Doors Removed

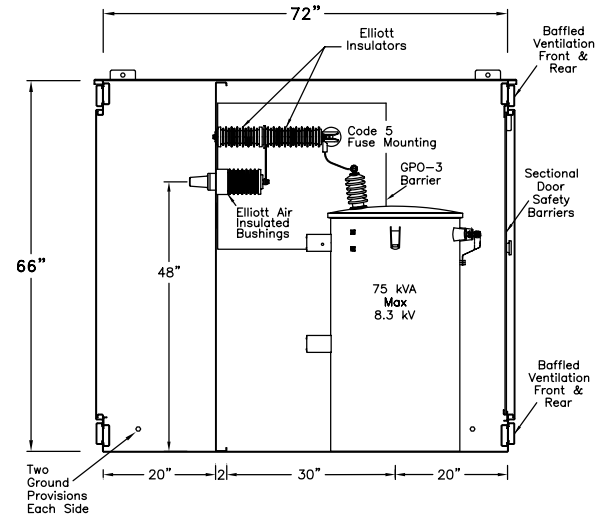
① Bushings may be added if circuit requirements change.



Rear View
Doors & Door Safety Barriers Removed



Section BB



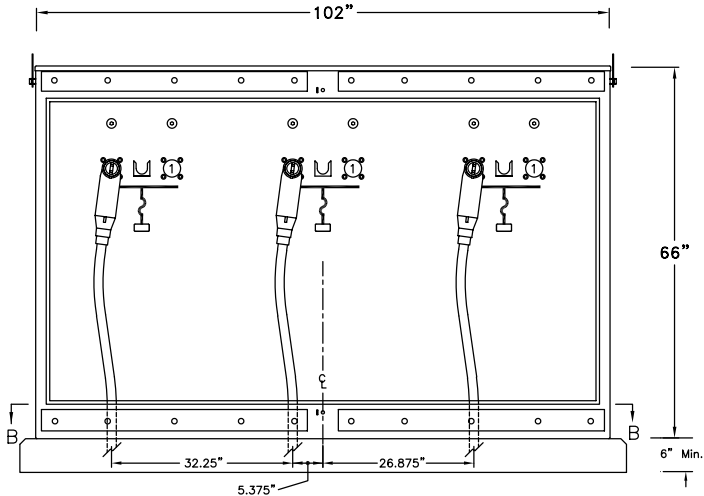
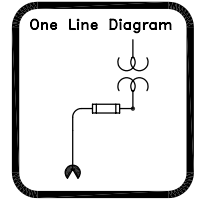
Section AA

11 Gauge Steel Enclosure
 Removable Cross Kinked Top
 Stainless Steel Hinges
 Stainless Steel Parking Stands
 Recessed Stainless Steel Penta Head Security Bolts
 Clear Polycarbonate Sectional Door Safety Barriers
 6" Min Strike Distance to Ground
 8" Min Strike Distance Phase to Phase
 Paint "Pad-Mount Green" Munsell #7GY 3.29/1.5

EPM-PTS-15-311P-E6-CM5-75KVA Layout		
Date: 12-16-99	File: D99472R0	Drawing No.:
By: CDH	Approved by: JES	99-472-1
Elliott Industries, Inc. Bossier City, Louisiana 71171-6388 U.S.A.		

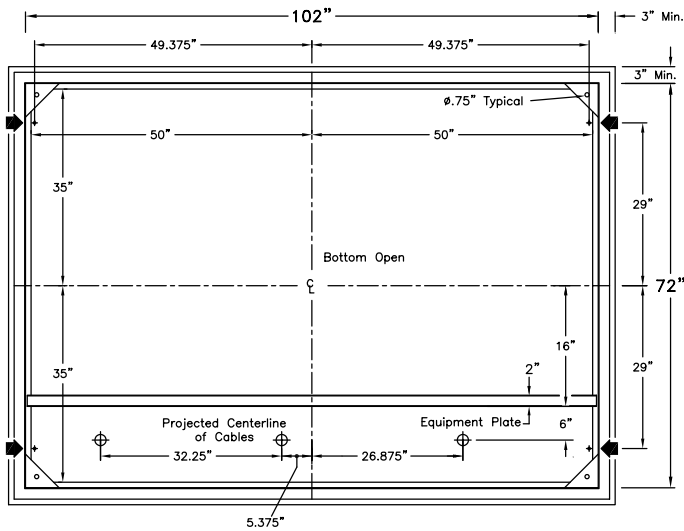
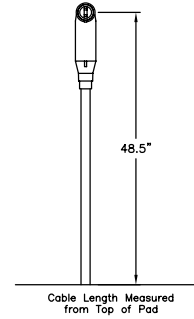
EPM-PTS-15-311P-E6-CM5-75KVA

Proposed Cable Training and
Typical Pad Requirements

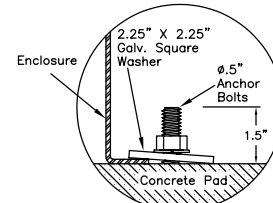


Front View
Doors Removed

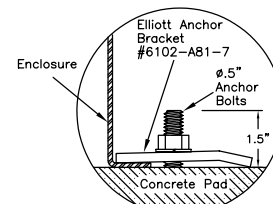
① Bushings may be added if circuit requirements change.



Section BB



Alternate #1



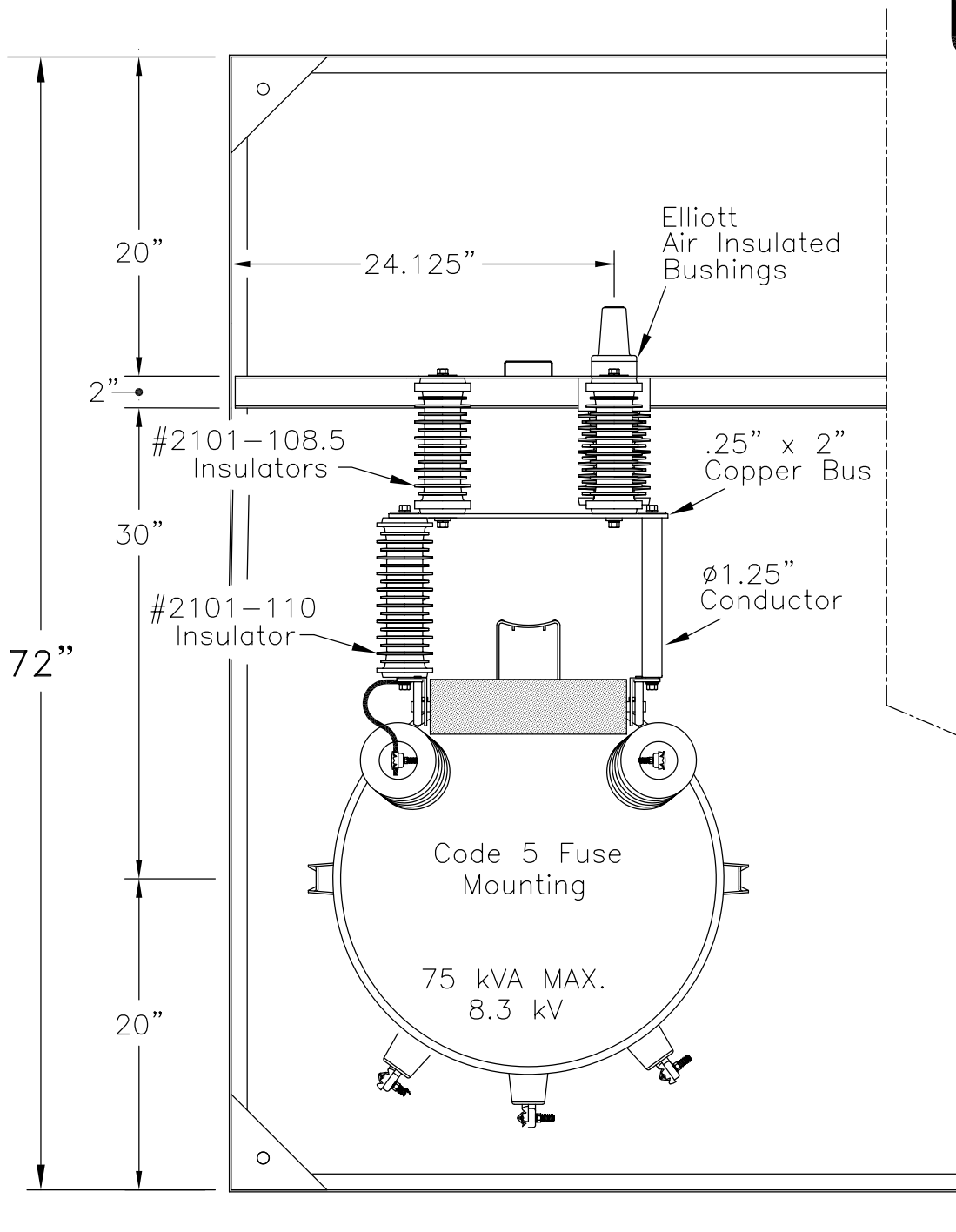
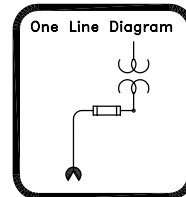
Alternate #2

+ ■ Anchor Bolt Locations

EPM-PTS-15-311P-E6-CM5-75KVA		
Proposed Cable Training & Pad Requirements		
Date: 12-16-99	File: D99472R0	Drawing No.:
By: CDH	Approved by: JES	99-472-2
Elliott Industries, Inc. Bossier City, Louisiana 71171-6388 U.S.A.		

EPM-PTS-15-311P-E6-CM5-75KVA

Three-Phase - Two Ways per Phase
 600 Amp Elliott Air Insulated Bushing Wells
 140 Amp (Max) 8.3 kV Clip Mounted CL Fuse Provisions
 8.3/14.4 kV Grd. Wye Max Design
 60 Hertz, 95 kV BIL



Top View of One Phase

EPM-PTS-15-311P-E6-CM5-75KVA Top View of One Phase		
Date: 12-16-99	File: D99472R0	Drawing No.:
By: CDH	Approved by: JES	99-472-3
Elliott Industries, Inc. Bossier City, Louisiana 71171-6388 U.S.A.		