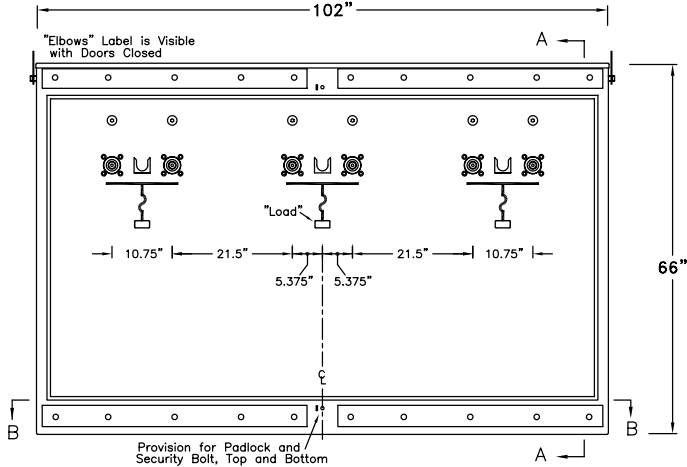
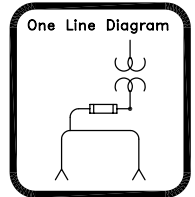
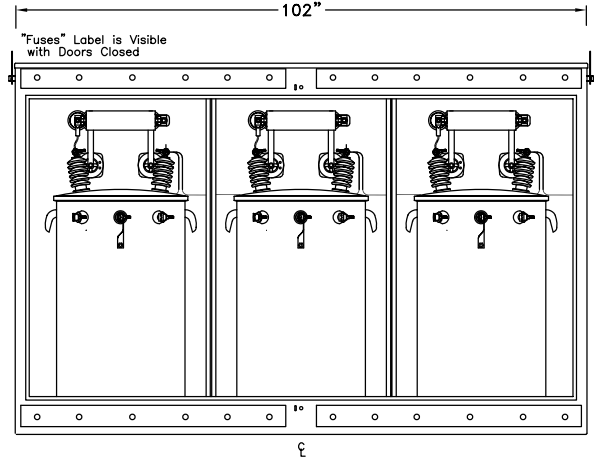


EPM-PTS-15-321P-E2-CM5-75KVA

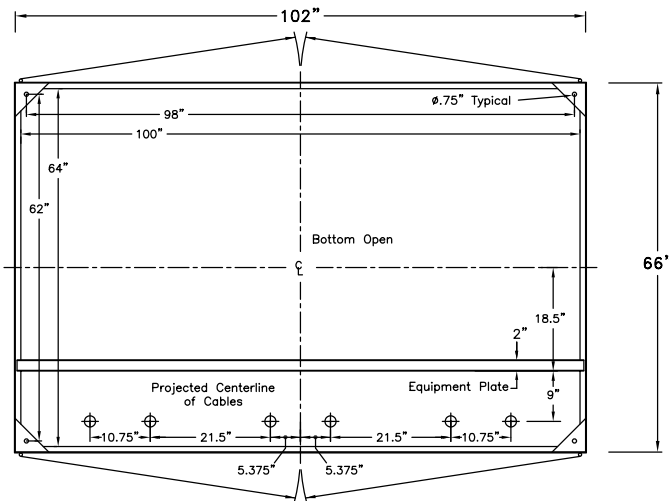
Three-Phase - Three Ways per Phase
 200 Amp Elliott Air Insulated Bushing Wells
 140 Amp (Max) 8.3 kV Clip Mounted CL Fuse Provisions
 8.3/14.4 kV Grd. Wye Max Design
 60 Hertz, 95 kV BIL



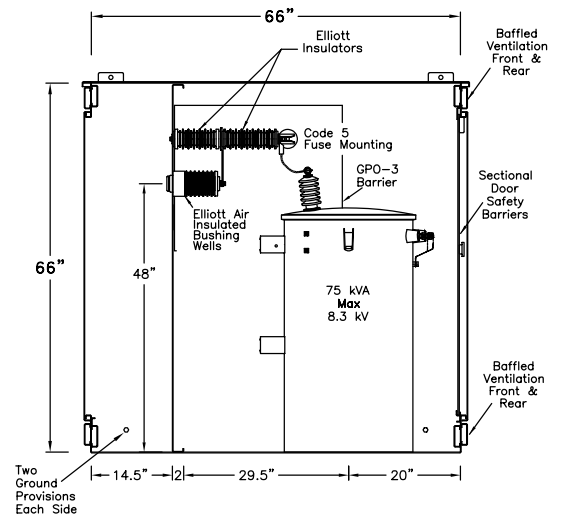
Front View
Doors Removed



Rear View
Doors & Door Safety Barriers Removed



Section BB



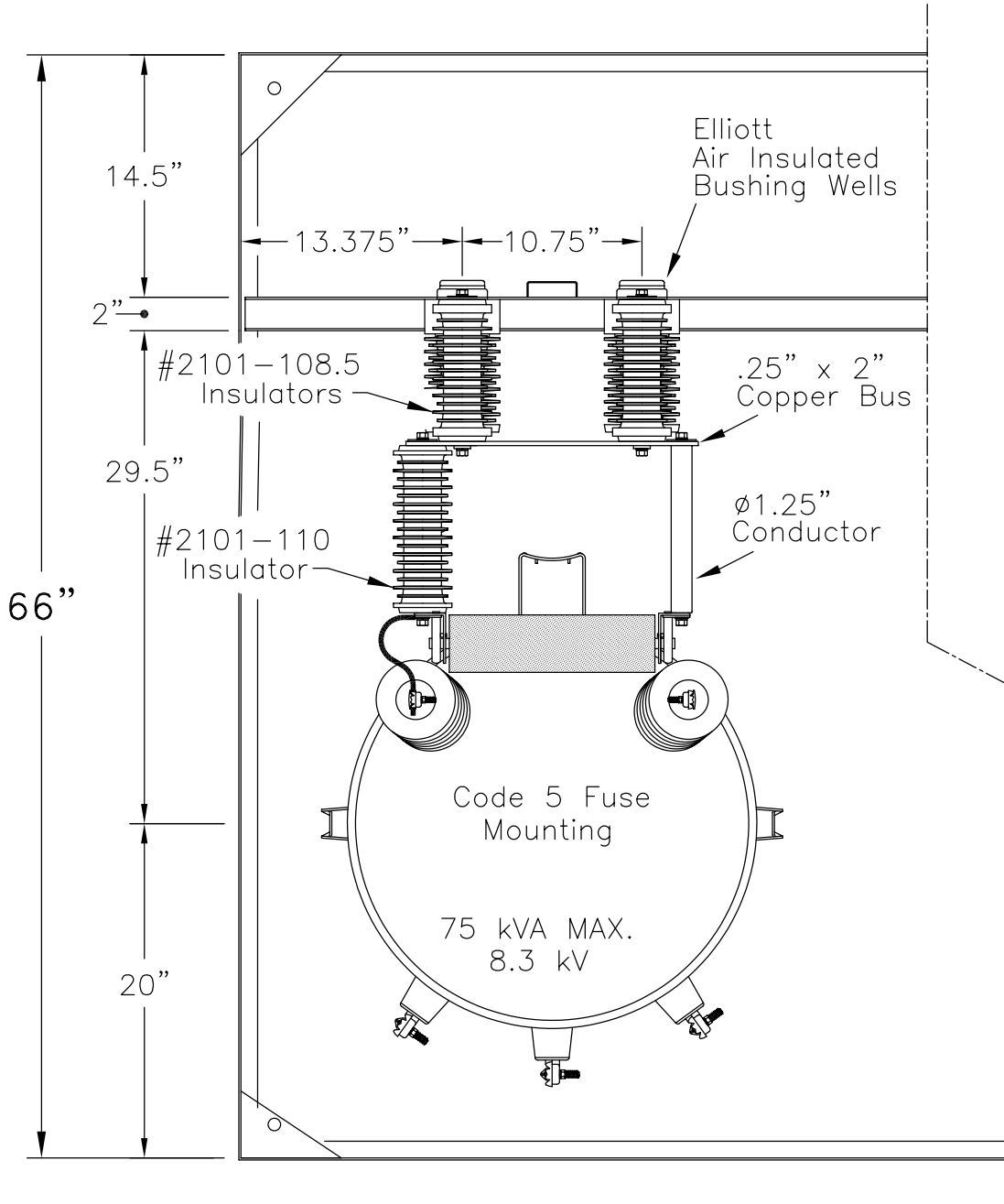
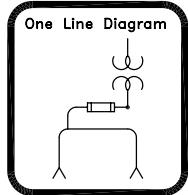
Section AA

11 Gauge Steel Enclosure
 Removable Cross Kinked Top
 Stainless Steel Hinges
 Stainless Steel Parking Stands
 Recessed Stainless Steel Penta Head Security Bolts
 Clear Polycarbonate Sectional Door Safety Barriers
 6" Min Strike Distance to Ground
 8" Min Strike Distance Phase to Phase
 Paint "Pad-Mount Green" Munsell #7GY 3.29/1.5

| | | |
|---|------------------|--------------|
| EPM-PTS-15-321P-E2-CM5-75KVA | | |
| Layout | | |
| Date: 12-08-99 | File: D99471R3 | Drawing No.: |
| By: CDH | Approved by: JES | 99-471-1 |
| Elliott Industries, Inc. | | |
| Bossier City, Louisiana 71171-6388 U.S.A. | | |

EPM-PTS-15-321P-E2-CM5-75KVA

Three-Phase - Three Ways per Phase
 200 Amp Elliott Air Insulated Bushing Wells
 140 Amp (Max) 8.3 kV Clip Mounted CL Fuse Provisions
 8.3/14.4 kV Grd. Wye Max Design
 60 Hertz, 95 kV BIL



Top View of One Phase

| | | |
|---|------------------|--------------|
| EPM-PTS-15-321P-E2-CM5-75KVA | | |
| Top View of One Phase | | |
| Date: 12-08-99 | File: D99471R3 | Drawing No.: |
| By: CDH | Approved by: JES | 99-471-3 |
| Elliott Industries, Inc. | | |
| Bossier City, Louisiana 71171-6388 U.S.A. | | |