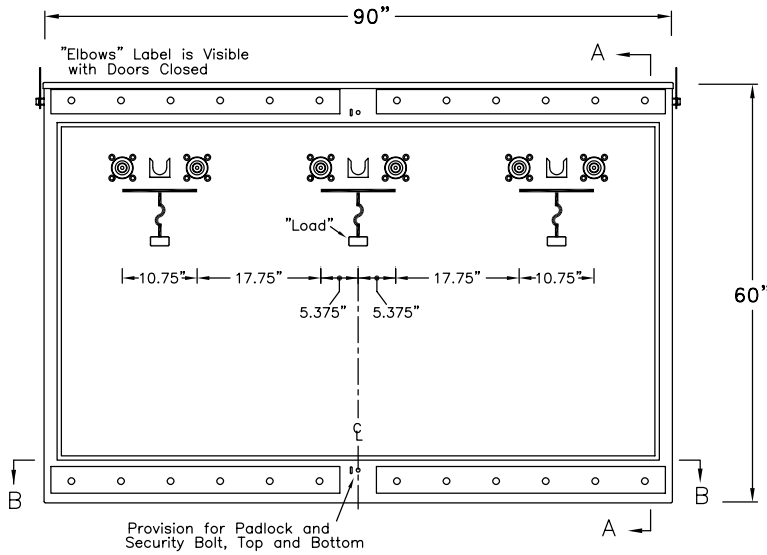
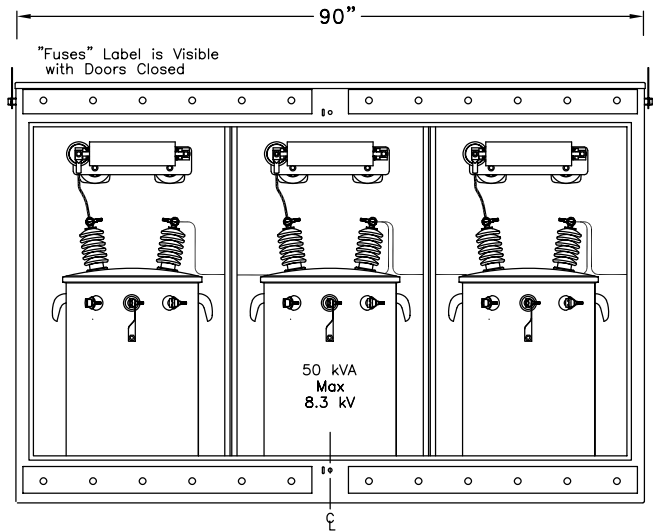


EPM-PTS-15-321P-E2-CM5-50KVA

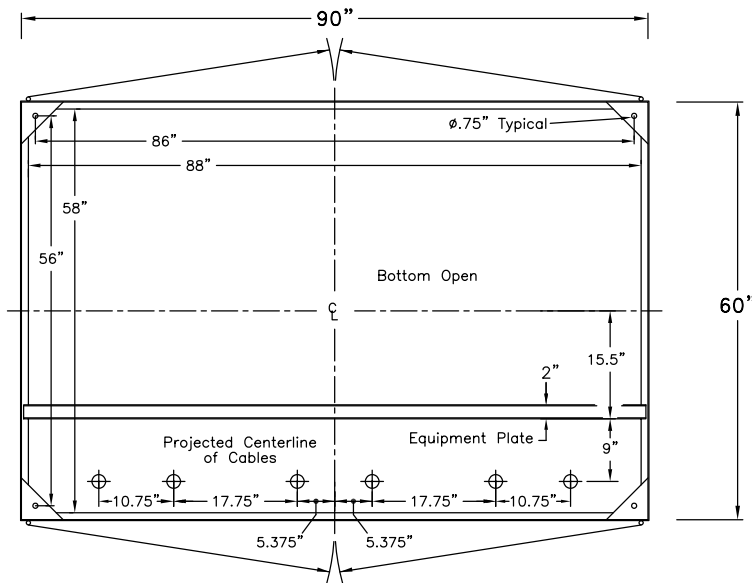
Three-Phase - Three Ways per Phase
 200 Amp Elliott Air Insulated Bushing Wells
 140 Amp (Max) 8.3 kV Clip Mounted CL Fuse Provisions
 8.3/14.4 kV Grd. Wye Max Design
 60 Hertz, 95 kV BIL



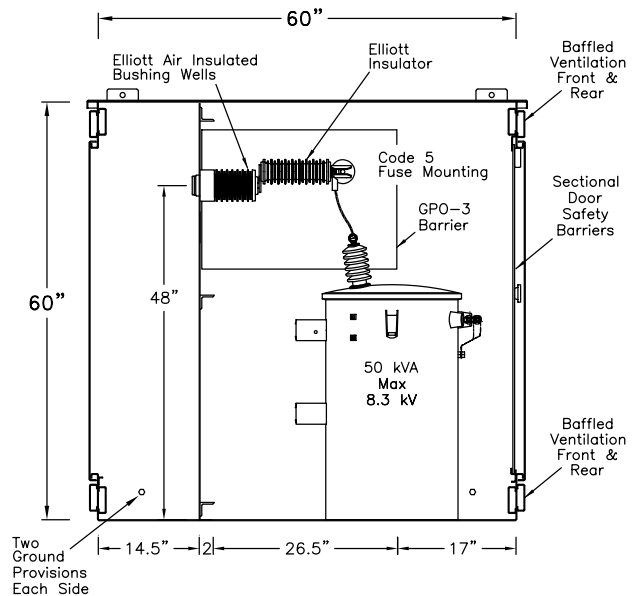
Front View
Doors Removed



Rear View
Doors & Door Safety Barriers Removed



Section BB



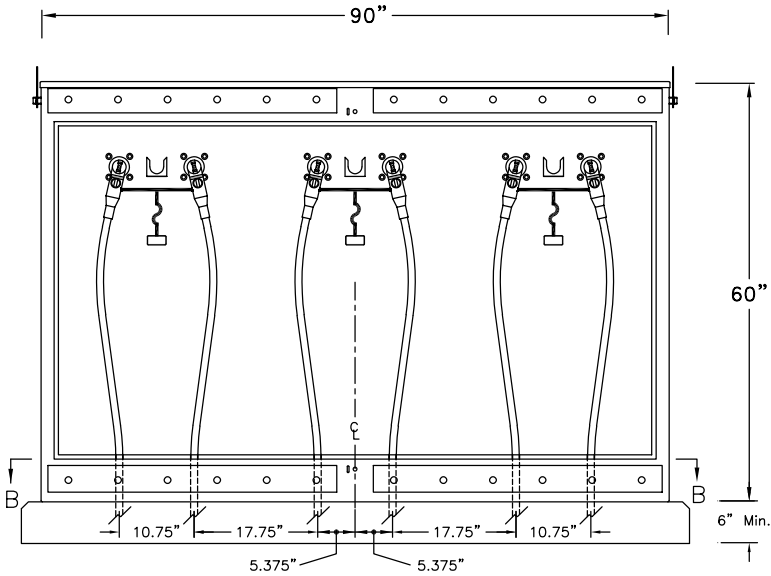
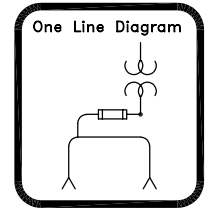
Section AA

11 Gauge Steel Enclosure
 Removable Cross Kinked Top
 Stainless Steel Hinges
 Stainless Steel Parking Stands
 Recessed Stainless Steel Penta Head Security Bolts
 Clear Polycarbonate Sectional Door Safety Barriers
 6" Min Strike Distance to Ground
 8" Min Strike Distance Phase to Phase
 Paint "Pad-Mount Green" Munsell #7GY 3.29/1.5

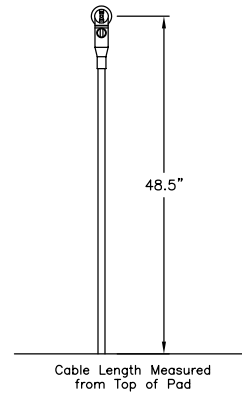
EPM-PTS-15-321P-E2-CM5-50KVA Layout		
Date: 07-28-99	File: D97244R1	Drawing No.:
By: R.M.	Approved by: JES	97-244-1
Elliott Industries, Inc. Bossier City, Louisiana 71171-6388 U.S.A.		

EPM-PTS-15-321P-E2-CM5-50KVA

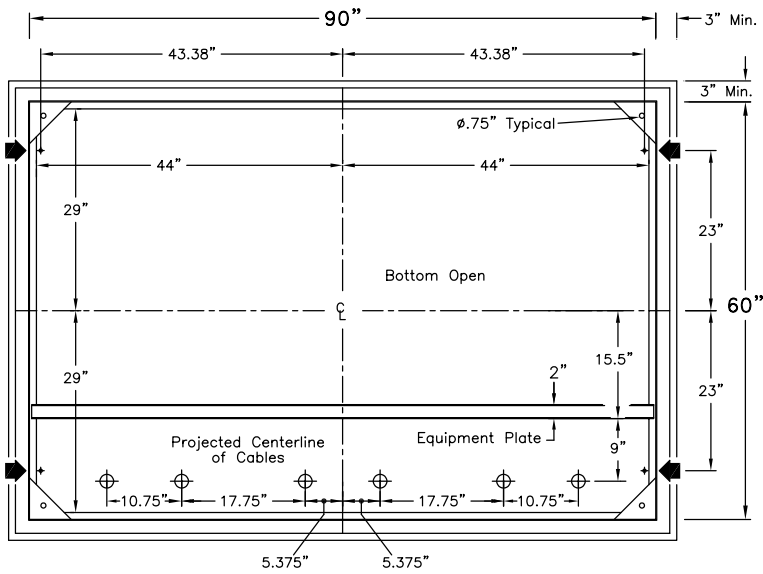
Proposed Cable Training and
Typical Pad Requirements



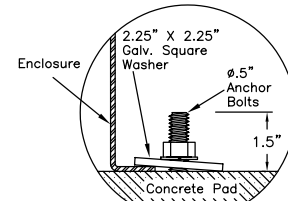
Front View
Doors Removed



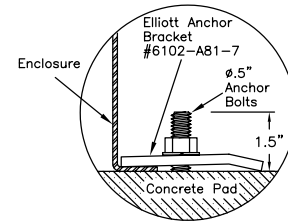
Cable Length Measured
from Top of Pad



Section BB



Alternate #1



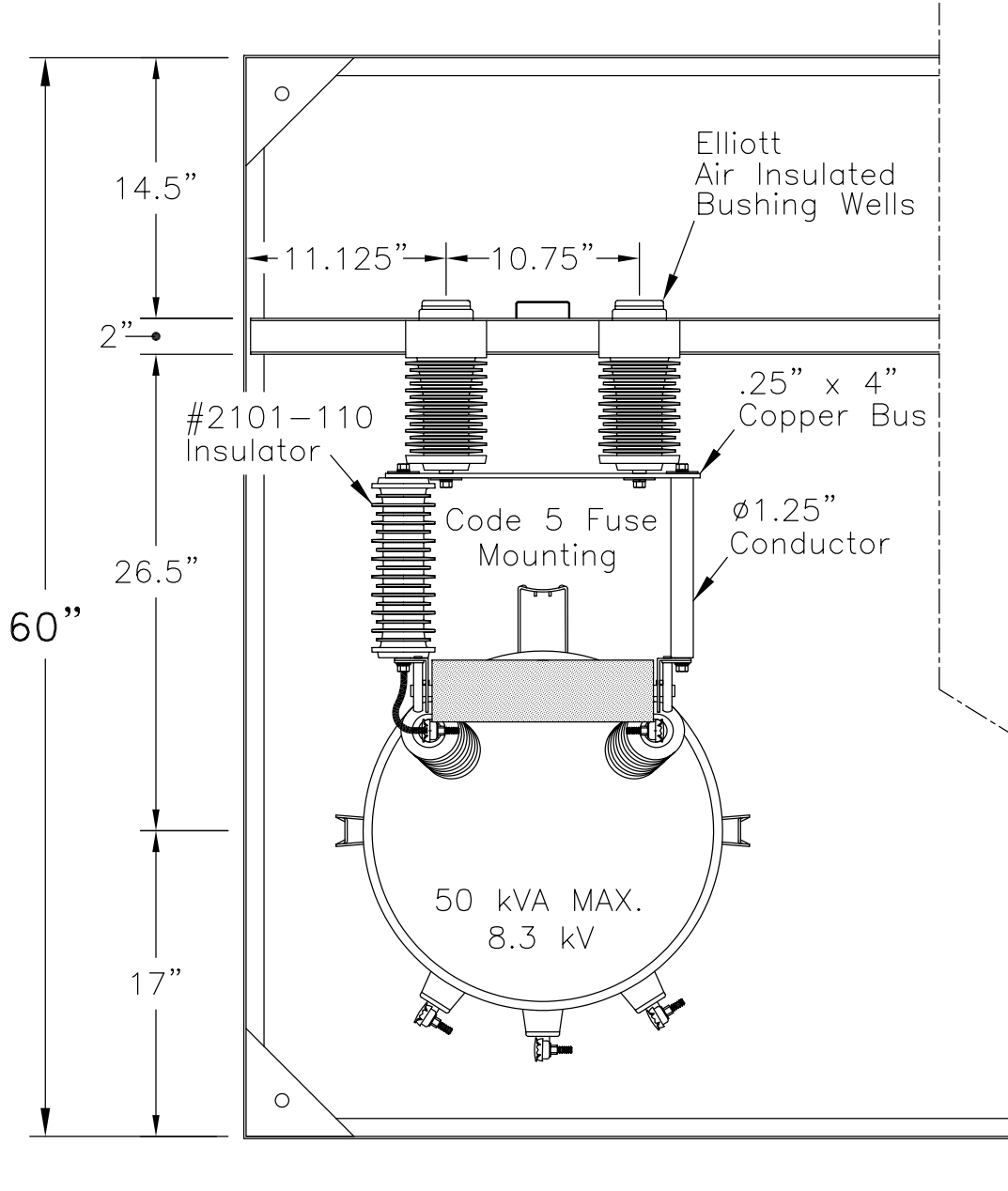
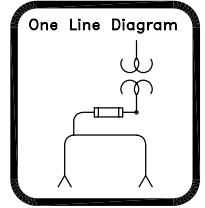
Alternate #2

+ Anchor Bolt Locations

EPM-PTS-15-321P-E2-CM5-50KVA Proposed Cable Training & Pad Requirements		
Date: 07-28-99	File: D97244R1	Drawing No.:
By: R.M.	Approved by: JES	97-244-2
Elliott Industries, Inc. Bossier City, Louisiana 71171-6388 U.S.A.		

EPM-PTS-15-321P-E2-CM5-50KVA

Three-Phase - Three Ways per Phase
 200 Amp Elliott Air Insulated Bushing Wells
 140 Amp (Max) 8.3 kV Clip Mounted CL Fuse Provisions
 8.3/14.4 kV Grd. Wye Max Design
 60 Hertz, 95 kV BIL



Top View of One Phase

EPM-PTS-15-321P-E2-CM5-50KVA Top View of One Phase		
Date: 07-28-99	File: D97244R1	Drawing No.:
By: R.M.	Approved by: JES	97-244-3
Elliott Industries, Inc. Bossier City, Louisiana 71171-6388 U.S.A.		