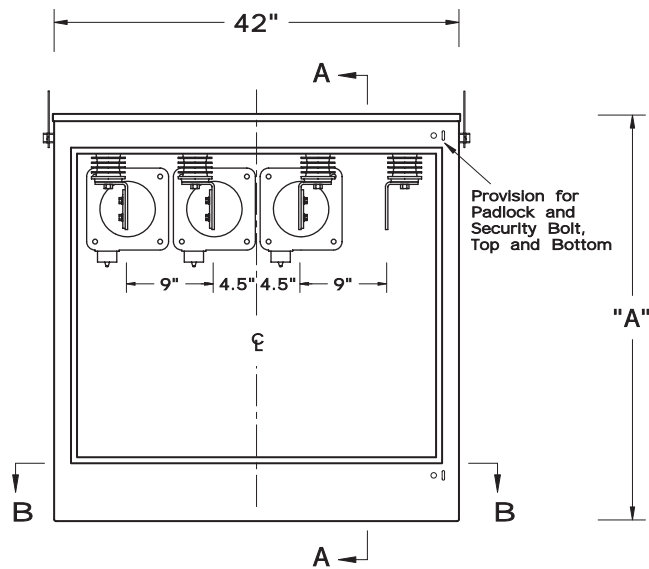


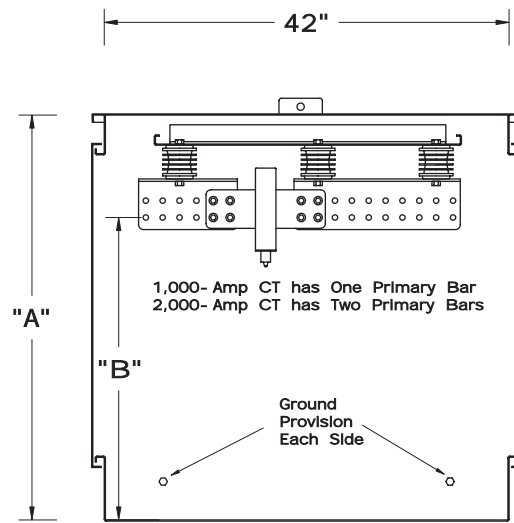
ESBE-0.6-331-CT-D87231

Elliott Secondary Bus Enclosure
 Three Phase - 600 Volt Class
 Four Single 0.25" x 8" Aluminum Bus
 1,500/1,750 Amp at 30/45 degree C rise over
 40 degree C Ambient

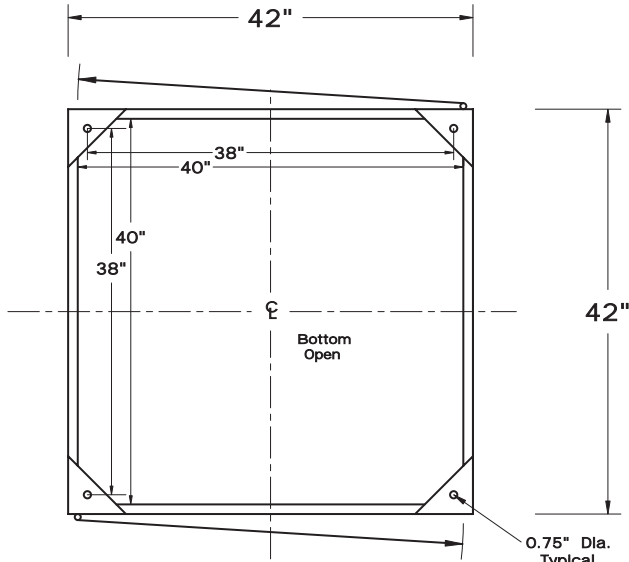
Front & Rear Access



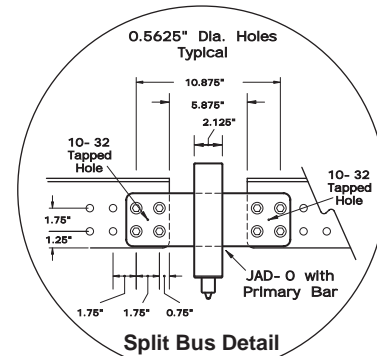
Front & Rear View
 Door Removed



Section AA



Section BB



Split Bus Detail

Optional Bus:

Four Single 0.25" x 8" Copper Bus
 2,000/2,300 Amp at 30/45 degree C rise over
 40 degree C Ambient

Catalog Number	"A" Dim.	"B" Dim.
ESBE- 0.6- 331- CT- D87231- 42H	42"	31.375"
ESBE- 0.6- 331- CT- D87231- 48H	48"	37.375"
ESBE- 0.6- 331- CT- D87231- 54H	54"	43.375"

11-Gauge Steel Enclosure
 Cross-Kinked Top
 Stainless Steel Hinges
 Recessed Stainless Steel Hex-Head Security Bolts
 (Recessed Stainless Steel Penta-Head Security Bolts Optional)
 3" Min Strike Distance to Ground
 Paint "Pad-Mount Green" Munsell #7GY 3.29/1.5

ESBE-0.6-331-CT-D87231
 Layout

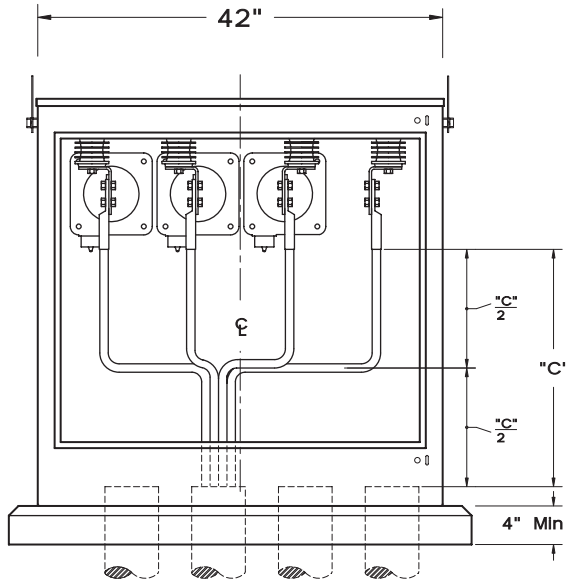
Date: 2- 21- 02	File: D87231- 1R1	Drawing No.:
By: MTS	Approved by: JES	87-231-1

ELLIOTT INDUSTRIES, INC.
 Bossler City, Louisiana 71171- 6388 U.S.A.

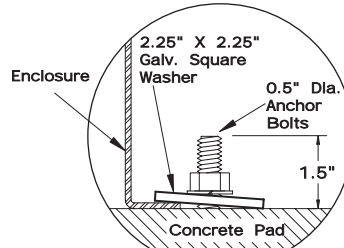
ESBE-0.6-331-CT-D87231

Elliott Secondary Bus Enclosure
 Typical Cable Training
 and Pad Requirements

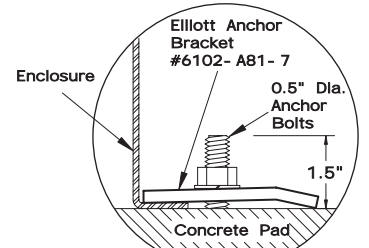
Front & Rear Access



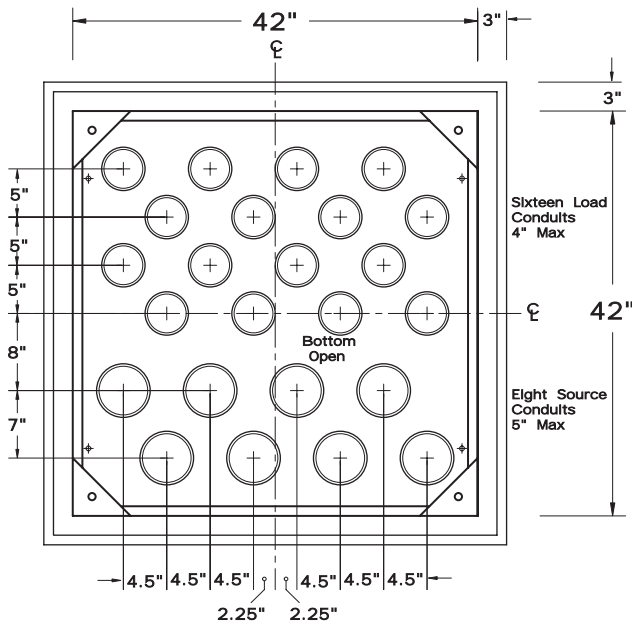
Typical Cable Training



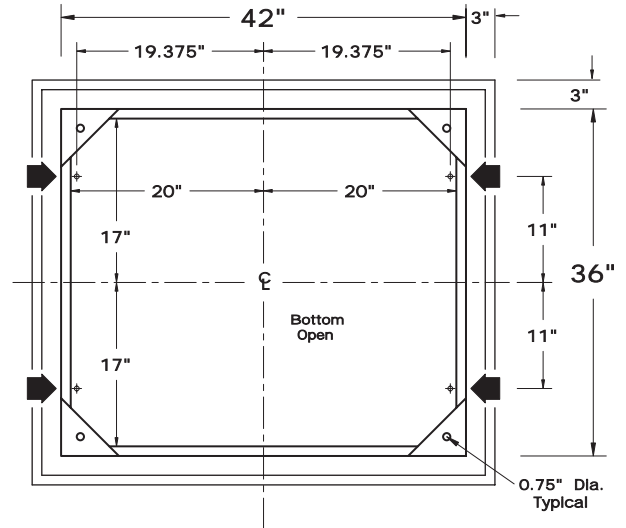
Alternate #1



Alternate #2



Section BB



Section BB

+ ◀ Anchor Bolt Locations

ESBE-0.6-331-CT-D87231R0 Typical Cable and Pad Requirements		
Date: 5-21-02	File: D87231-2R1	Drawing No.:
By: MTS	Approved by: JES	87-231-2
ELLIOTT INDUSTRIES, INC. Bossier City, Louisiana 71171-6388 U.S.A.		