

# Pole Down

## Exposed Conductors...

### What do you do?

#### You could Install a UNI-SAF, tape the wires, and re-energize the adjacent lights.

After an automobile accident knocks down a street light pole, how do you cover the exposed wire? You might have to re-energize the wires to keep other street lights on the same circuit lit.

The UNI-SAF is designed to cover the street light foundation and secure the exposed wires. You can install the UNI-SAF, tape the conductors and padlock the UNI-SAF. This allows you to keep other street lights lit, while keeping out curious children and adults. After you replace the pole, you can recover the UNI-SAF to use again.

The UNI-SAF is designed for emergency replacement of the pole base after an accident.

- Re-energized lighting helps prevent vandalism and additional accidents.
- Replace the pole at a scheduled time, eliminating crew call out on overtime.
- You recover the UNI-SAF when the pole is replaced. You save labor with no additional material cost.
- UNI-SAF meets known safety requirements of OSHA and NEC.



## Design Features

### Universal Design fits most bases

Fits 3-bolt and 4-bolt foundations  
Four heavy-duty clamps fit existing foundations bolts

### Removable Cover

Easy to install.  
The cover has no moving parts to break or seize  
Removable under rails as low as 10 inches.  
Welded corners for strength and tamper resistance

### Heavy-duty Construction

Easily supported weight of a 250 lb. man  
Withstands rough handling and abuse  
Little or no maintenance required  
14-gauge steel, phosphatized, primed and painted  
Paint - grey (Munsell 5BG 7.0/0.4) enamel finish

### Warning Sign

"DANGER - HIGH VOLTAGE" sign on the cover

### Padlock Provision

Accepts padlock with 0.375-inch max. shackle

### Overlapping Cover

Resists entry of foreign objects by curious children and adults

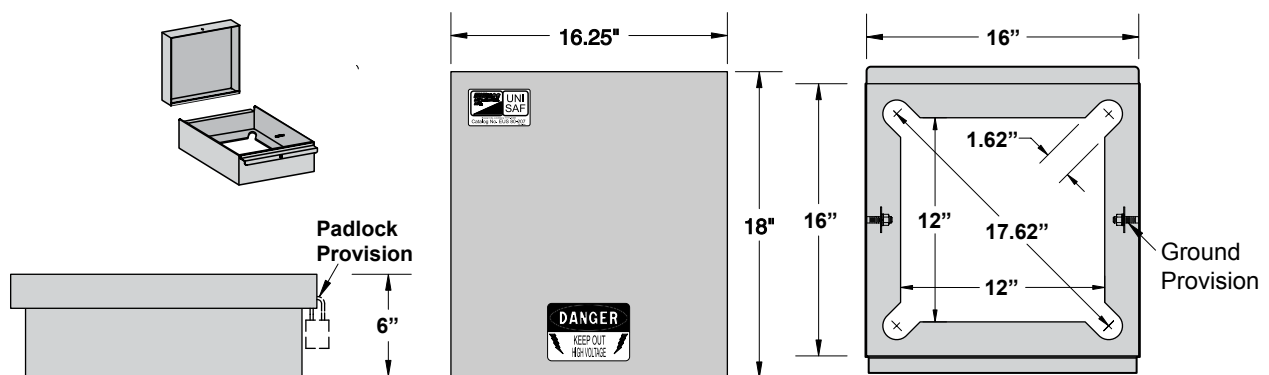
### Grounding Provision

Accepts #2 max. ground wire for positive grounding



## Installation

Be sure the wires are de-energized. Remove the damaged pole and/or base. Tape or cover the exposed wires. Mount the UNI-SAF on the foundation by placing the four adjustable Mounting Clamps over the existing anchor bolts. Install the anchor bolt washer and nuts to clamp the UNI-SAF to the foundation. Wrap the ground wire onto the threaded ground stud. Tighten the nut and washer to secure the ground wire. Install the cover and padlock to complete the installation.



Catalog Number	Description	Bolt Circle		Anchor Bolt		Packaged Weight Pounds (kg)
		Max.	Min.	Max.	Min.	
EUS78-126	14-Gauge Steel	17.625"	4.75"	1.5"	0.75"	22 (9.98)
EUS78-126-ALUM	0.090" Aluminum	17.625"	4.75"	1.5"	0.75"	12 (5.44)
EUS78-126-SS	14-Gauge Stainless Steel	17.625"	4.75"	1.5"	0.75"	22 (9.98)